



LED Meteor Lights Specification (APP-LSX354W13-10)

1. Features:

- ✧ Low power consumption, vivid lighting color
- ✧ Defending Electricity Leakage
- ✧ Easy to install, maintenance free
- ✧ Big viewing angle, long lifespan
- ✧ Green product, compliant with ROHS and CE.

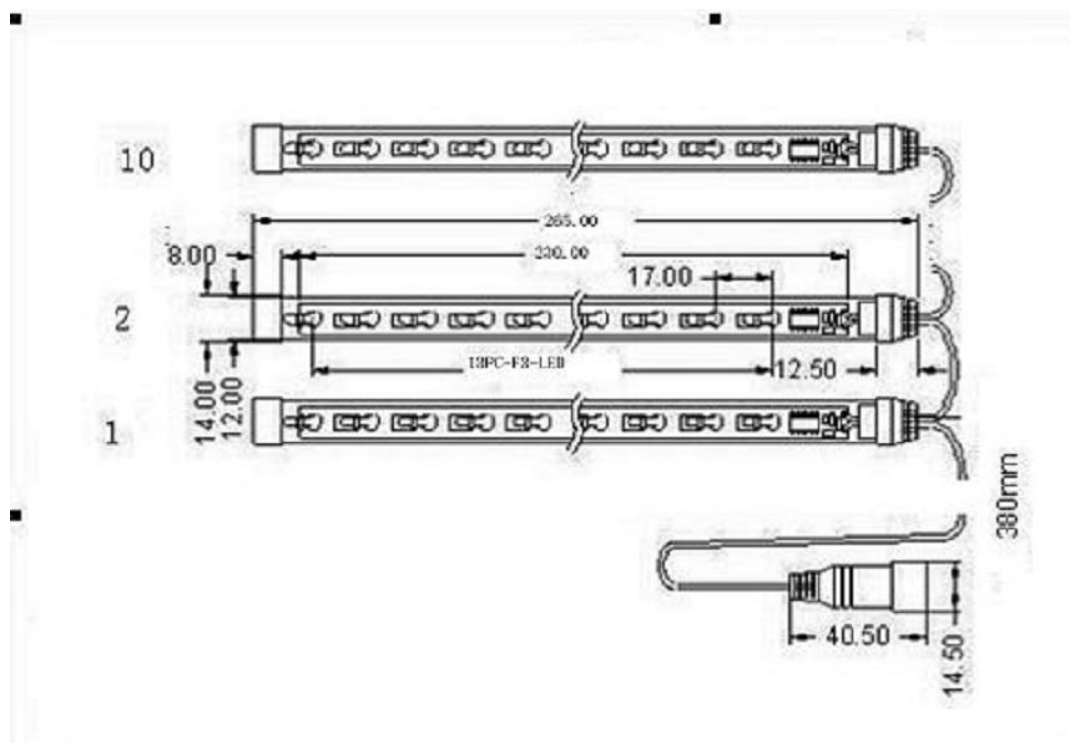
2. Application:

- ✧ Christmas decoration

Picture:



3. Package Dimensions (mm):



1. All dimensions are in millimeters
2. Tolerance is 0.5 mm unless otherwise noted
3. Voltage supply: 5V DC
4. Power adapter: AC 110V /220V to DC 5V is included.



APPLED ELECTRONICS ENTERPRISES CORPORATION

TEL: (02) 2545881 / 6224308 FAX: (02) 2545881 MOBILE: (0917) 8878378 / (0922) 8878374

STALL NO. 2M-15 168 MALL SOLER ST., BINONDO, MANILA, PHILIPPINES 1006

URL: WWW.LED.PH

EMAIL: APPLED888@YAHOO.COM.PH

4. APP-LSX354W13-10 Characteristics:

LIGHT EMITTING DIODE LAMPS			
Absolute maximum ratings		(Ta=25°C)	
	Symbol	Value	Unit
Forward current	If	30	mA
Reverse voltage	Vf	5	V
Power dissipation	Pd	110	mW
Operating temperature range	Top	-25~+80	°C
Storage temperature range	Top	-30~+80	°C
Peak pulsing current (1/8 duty f=1KHz)	If	125	mA

5. Absolute Maximum Rating at TA=25°C:

Part Number	Emitting Color	Input Voltage	Wattage	Waterproof Degree	LED Quantity	Wavelength (nm)	Luminous flux (Lm/set)		Continuous Connect (set)
							MIN	MAX	
APP-LSX354 R13-10	Red	DC5V	1.65w	IP 35	130 pcs	620-635	10	40	4
APP-LSX354 G13-10	Green		1.65w	IP 35	130 pcs	515-530	8	36	4
APP-LSX354 B13-10	Blue		1.65w	IP 35	130 pcs	465-475	10	50	4
APP-LSX354 Y13-10	Yellow		1.65w	IP 35	130 pcs	585-595	16	60	4
APP-LSX354 W13-10	Pure White		1.65w	IP 35	130 pcs	/	90	130	4
APP-LSX354 WW13-10	Warm White		1.65w	IP 35	130 pcs	/	86	120	4



APPLED ELECTRONICS ENTERPRISES CORPORATION

TEL: (02) 2545881 / 6224308 FAX: (02) 2545881 MOBILE: (0917) 8878378 / (0922) 8878374

STALL NO. 2M-15 168 MALL SOLER ST., BINONDO, MANILA, PHILIPPINES 1006

URL: WWW.LED.PH

EMAIL: APPLED888@YAHOO.COM.PH

6. Test pattern:



7. Packaging:

Net (g)	Inner white box Size (CM)	Qty/box	Outer carton Size (CM)	Qty/Carton	Gross Weight (kg)
330	32.5*8.5*4.0	1 set	65.5*34.5*28.5	56 sets	19.5

