



APPLED ELECTRONICS ENTERPRISES CORPORATION

TEL: (02) 2545881 / 6224308 FAX: (02) 2545881 MOBILE: (0917) 8878378 / (0922) 8878374

STALL NO. 2M-15 168 MALL SOLER ST., BINONDO, MANILA, PHILIPPINES 1006

URL: WWW.LED.PH

EMAIL: APPLED888@YAHOO.COM.PH

DOWN LIGHT (10W)

PARAMETER:

- **Model:** APP-DLYY10W-01
- **Color of the housing:** silver color. (Normal color of the housing is : Silver or White, if you need other colors for the housing, black or gold color should be customized in advance)
- **Power:** 10W
- **Light source:** 1*10W
- **LED Q'ty:** 1pcs
- **Beam angle:** 60 °
- **Body operating temperature:** ≤58 °C
- **Led operating temperature:** ≤65 °C
- **Ambient temperature:** -25 °C- 45 °C
- **IP grade:** IP44
- **Color temperature:** 2500K-6500K
- **Luminous flux(lm):** 800lm-cool white,600lm-warm white
- **Luminous efficacy:** 80lm/w- cool white,60lm/w- warm white
- **Life span:** 50,000 hrs
- **Hole:** Φ110mm
- **Net weight:** 630g
- **Gross weight:** 650g
- **Dimension of the product(dia. * H):** Φ118*105 mm
- **Dimension of the external box(L * W * H):** 61.5*37.5*47cm
- **Quantity (PCS):** 45 pcs in a carton



TYPICAL APPLICATIONS:

- **Hotel hall**
- **In business building**
- **Meeting room**
- **Office**



APPLED ELECTRONICS ENTERPRISES CORPORATION

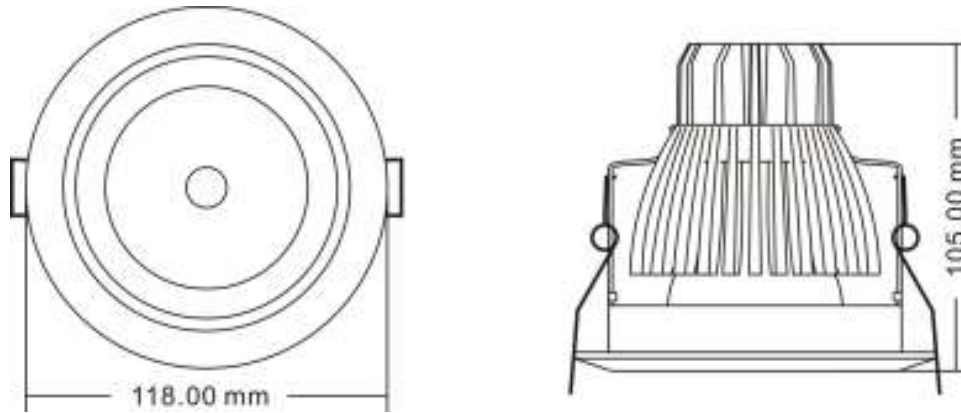
TEL: (02) 2545881 / 6224308 FAX: (02) 2545881 MOBILE: (0917) 8878378 / (0922) 8878374

STALL NO. 2M-15 168 MALL SOLER ST., BINONDO, MANILA, PHILIPPINES 1006

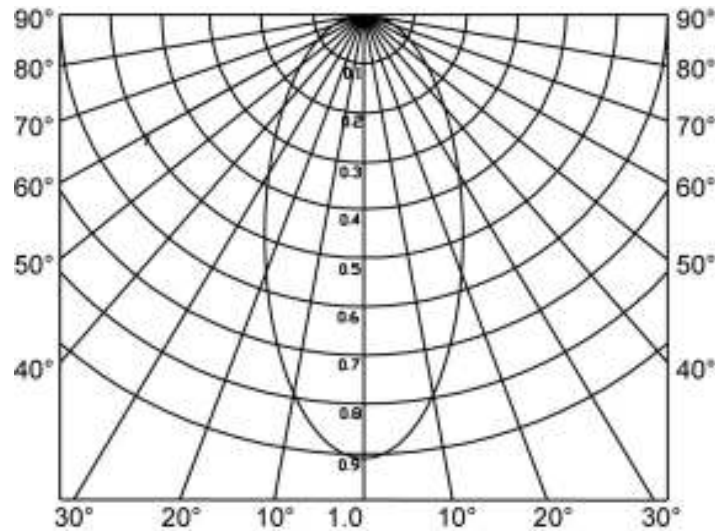
URL: WWW.LED.PH

EMAIL: APPLED888@YAHOO.COM.PH

PRODUCT DIMENSIONS:



PHOTOMETRIC RESULTS:



ILLUMINANCE MEASUREMENT(COOL WHITE / ANGLE:60°):

