



APPLED ELECTRONICS ENTERPRISES CORPORATION

TEL: (02) 2545881 / 6224308 FAX: (02) 2545881 MOBILE: (0917) 8878378 / (0922) 8878374

STALL NO. 2M-15 168 MALL SOLER ST., BINONDO, MANILA, PHILIPPINES 1006

URL: WWW.LED.PH

EMAIL: APPLED888@YAHOO.COM.PH

DOWN LIGHT (9W)

PARAMETER:

- **Model:** APP-DL3*3W
- **Color of the housing:** silver color
- **Power:** 9W
- **Light source:** 3*3W
- **LED Q'ty:** 1pcs
- **Beam angle:** 30°/60°
- **Body operating temperature:** ≤58 °C
- **Led operating temperature:** ≤65 °C
- **Ambient temperature:** -25 °C- 45 °C
- **IP grade:** IP44
- **Color temperature:** 2500K-6500K
- **Luminous flux(lm):** 720lm-cool white,540lm-warm white
- **Luminous efficacy:** 80lm/w- cool white,60lm/w- warm white
- **Life span:** 50,000 hrs
- **Hole:** Ø85mm
- **Net weight:** 370g
- **Gross weight:** 400g
- **Dimension of the product(dia. * H):** Ø90*107.5 mm
- **Dimension of the external box(L * W * H):** 47*48*34cm
- **Quantity (PCS):** 40 pcs in a carton



TYPICAL APPLICATIONS:

- **Hotel hall**
- **In business building**
- **Meeting room**
- **Office**



APPLED ELECTRONICS ENTERPRISES CORPORATION

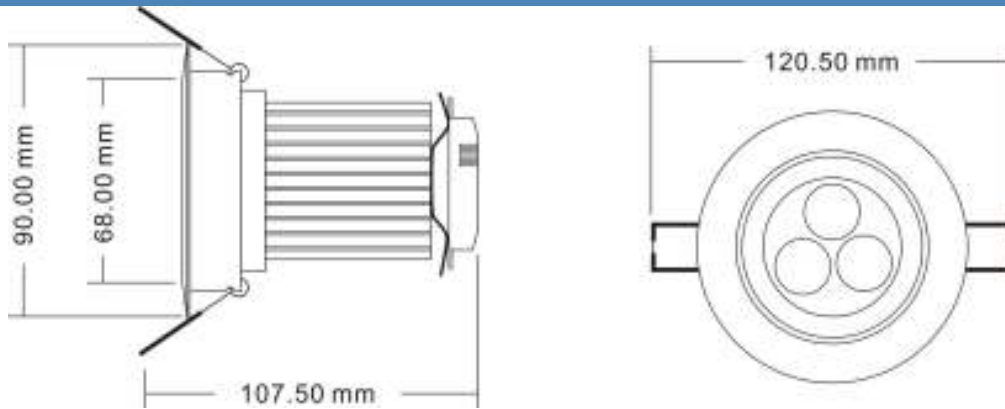
TEL: (02) 2545881 / 6224308 FAX: (02) 2545881 MOBILE: (0917) 8878378 / (0922) 8878374

STALL NO. 2M-15 168 MALL SOLER ST., BINONDO, MANILA, PHILIPPINES 1006

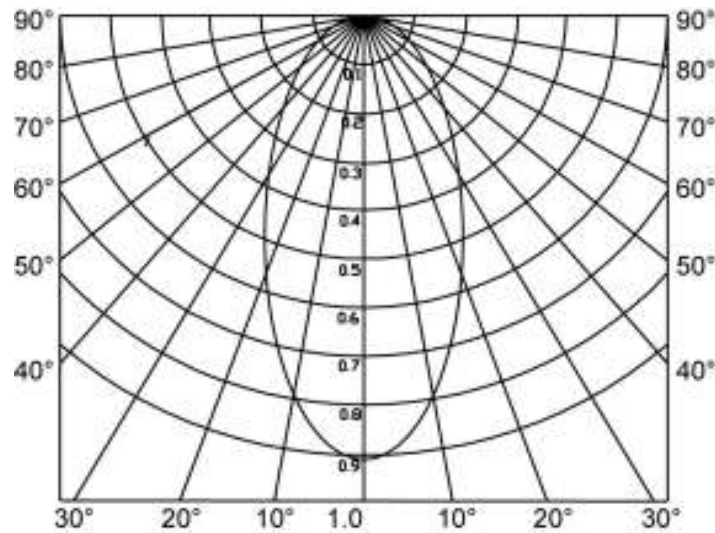
URL: WWW.LED.PH

EMAIL: APPLED888@YAHOO.COM.PH

PRODUCT DIMENSIONS:



PHOTOMETRIC RESULTS:



ILLUMINANCE MEASUREMENT(COOL WHITE / ANGLE:60°):

