



# APPLED ELECTRONICS ENTERPRISES CORPORATION

TEL: (02) 2545881 / 6224308 FAX: (02) 2545881 MOBILE: (0917) 8878378 / (0922) 8878374

STALL NO. 2M-15 168 MALL SOLER ST., BINONDO, MANILA, PHILIPPINES 1006

URL: [WWW.LED.PH](http://WWW.LED.PH)

EMAIL: [APPLED888@YAHOO.COM.PH](mailto:APPLED888@YAHOO.COM.PH)

## DOWN LIGHT (3W)

### PARAMETER:

- **Model:** APP-DL3\*1W
- **Color of the housing:** silver color
- **Power:** 3W
- **Light source:** 3\*1W
- **LED Q'ty:** 3pcs
- **Beam angle:** 30°/60°
- **Body operating temperature:** ≤58 °C
- **Led operating temperature:** ≤65 °C
- **Ambient temperature:** -25 °C- 45 °C
- **IP grade:** IP44
- **Color temperature:** 2500K-6500K
- **Luminous flux(lm):** 240lm-cool white,180lm-warm white
- **Luminous efficacy:** 80lm/w- cool white,60lm/w- warm white
- **Life span:** 50,000 hrs
- **Hole:** Ø85mm
- **Net weight:** 230g
- **Gross weight:** 260g
- **Dimension of the product(dia. \* H):** Ø90\*82 mm
- **Dimension of the external box(L \* W \* H):** 47\*48\*34cm
- **Quantity (PCS):** 40 pcs in a carton
- **Available in non-dimmable and dimmable**



### TYPICAL APPLICATIONS:

- **Hotel hall**
- **In business building**
- **Meeting room**
- **Office**



# APPLED ELECTRONICS ENTERPRISES CORPORATION

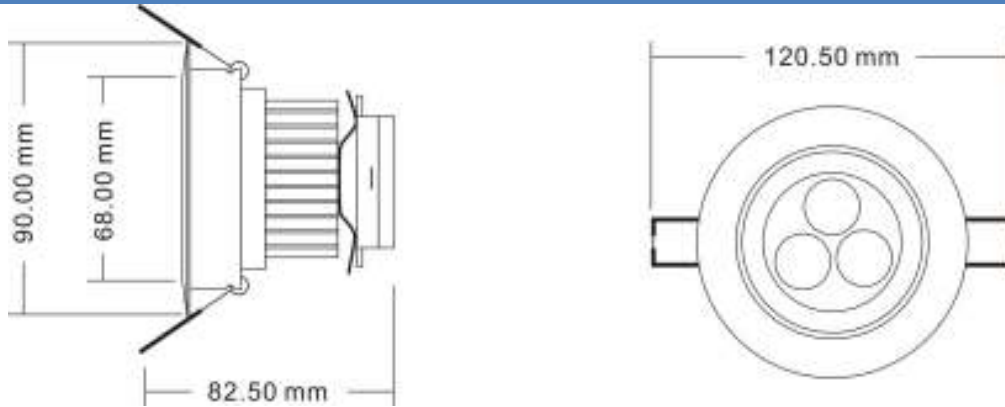
TEL: (02) 2545881 / 6224308 FAX: (02) 2545881 MOBILE: (0917) 8878378 / (0922) 8878374

STALL NO. 2M-15 168 MALL SOLER ST., BINONDO, MANILA, PHILIPPINES 1006

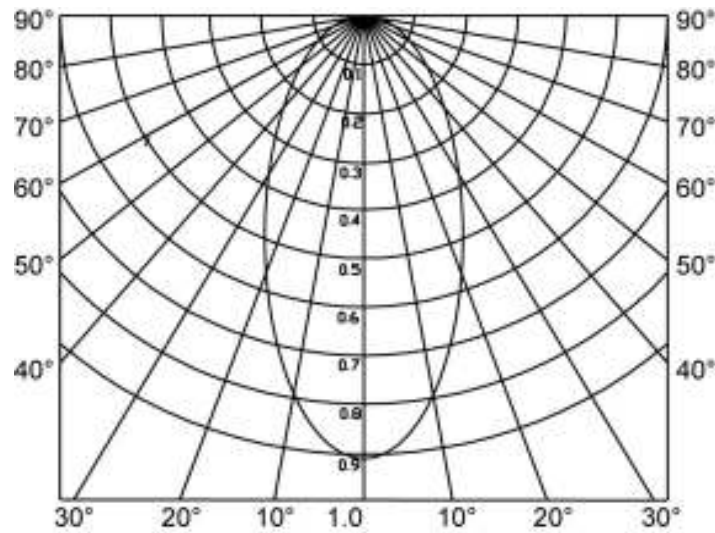
URL: [WWW.LED.PH](http://WWW.LED.PH)

EMAIL: [APPLED888@YAHOO.COM.PH](mailto:APPLED888@YAHOO.COM.PH)

## PRODUCT DIMENSIONS:



## PHOTOMETRIC RESULTS:



## ILLUMINANCE MEASUREMENT(COOL WHITE / ANGLE:60°):

