



APPLED ELECTRONICS ENTERPRISES CORPORATION

TEL: (02) 2545881 / 6224308 FAX: (02) 2545881 MOBILE: (0917) 8878378 / (0922) 8878374

STALL NO. 2M-15 168 MALL SOLER ST., BINONDO, MANILA, PHILIPPINES 1006

URL: WWW.LED.PH

EMAIL: APPLED888@YAHOO.COM.PH

DOWN LIGHT (20W / 30W)

PARAMETER:

- **Model: APP-DL-20W/30W**
- **Color of the housing: white color**
- **Input voltage: 90-264V 50Hz**
- **Power: 20W/30W**
- **Light source: 1*20W / 1*30W**
- **LED Q'ty: 1pcs**
- **Beam angle: 120 °**
- **Power factor: >0.9**
- **Ra: >80**
- **Body operating temperature: ≤50 °C**
- **Led operating temperature: ≤58 °C**
- **Ambient temperature: -20 °C- 50 °C**
- **IP grade: IP54**
- **Color temperature: 2700K-7000K**
- **Life span: 50,000 hrs**
- **Hole: Φ205mm**
- **Material: aluminum**
- **Dimension of the product(dia. * H): Φ225*80 mm**
- **Gross weight: 1.7kg**



TYPICAL APPLICATIONS:

- **Hotel hall**
- **In business building**
- **Meeting room**
- **Office**



APPLED ELECTRONICS ENTERPRISES CORPORATION

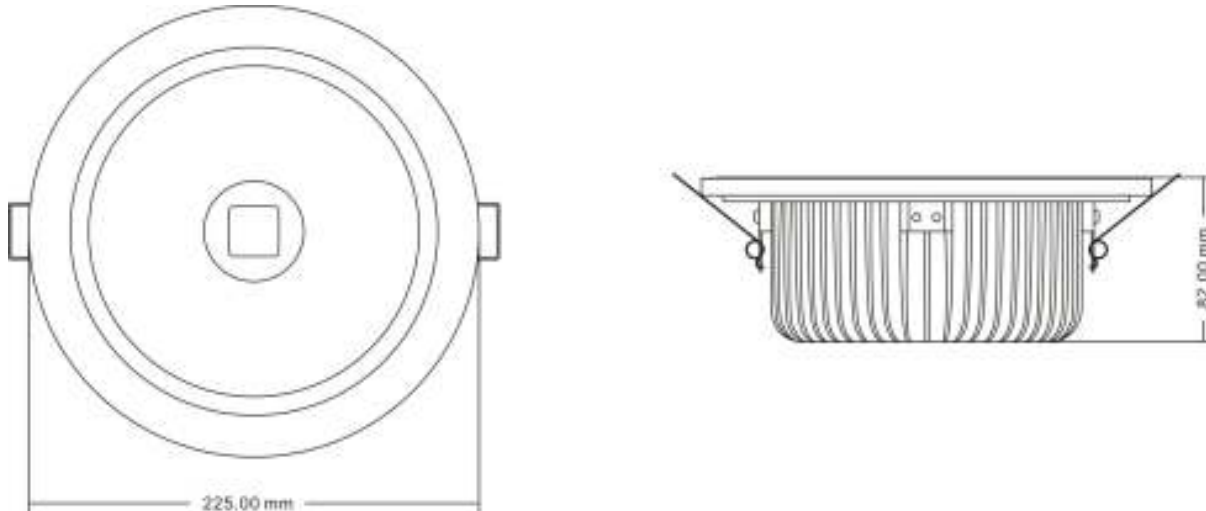
TEL: (02) 2545881 / 6224308 FAX: (02) 2545881 MOBILE: (0917) 8878378 / (0922) 8878374

STALL NO. 2M-15 168 MALL SOLER ST., BINONDO, MANILA, PHILIPPINES 1006

URL: WWW.LED.PH

EMAIL: APPLED888@YAHOO.COM.PH

PRODUCT DIMENSIONS:



ILLUMINANCE MEASUREMENT:

