



## APPLIED ELECTRONICS ENTERPRISES CORPORATION

TEL: (02) 6224308 FAX: (02) 5598778 MOBILE: (0917) 8878378 / (0922) 8878374

STALL NO. 2M-15 168 MALL STA. ELENA ST., BINONDO, MANILA

URL: [WWW.LED.PH](http://WWW.LED.PH)

EMAIL: [APPLED888@YAHOO.COM.PH](mailto:APPLED888@YAHOO.COM.PH)

# FLOOD LIGHT (70W)

## PARAMETER:

- **Type:** APP-FL-70W-02
- **Light source:** LED
- **Power:** 70W
- **Work voltage:** AC(85V-265V)/(50-60HZ)
- **Power factor(PF):** >0.9
- **Light efficiency:** 70-100 lm/w
- **Lumens:** >4900LM
- **No UV or IR light radiation**
- **Fixture efficiency:** >90%
- **View angle:** 90°
- **Color instruction:** >80
- **Color temperature(CCT):** 2600-7000K
- **Life time:** >50,000 hrs
- **Luminance decrease:** keep lighting 1000hours decrease1%
- **IP grade:** IP65
- **CE certification**
- **Net weight:** 6.5kg
- **Dimension of the product:** 285\*370\*115mm
- **Dimension of the external box:** 45\*32\*30cm
- **Quantity (PCS):** 2 pcs in a carton



## TYPICAL APPLICATIONS:

- **Energy Saving Programs**
- **exterior of building light**
- **on the bill board**



# APPLIED ELECTRONICS ENTERPRISES CORPORATION

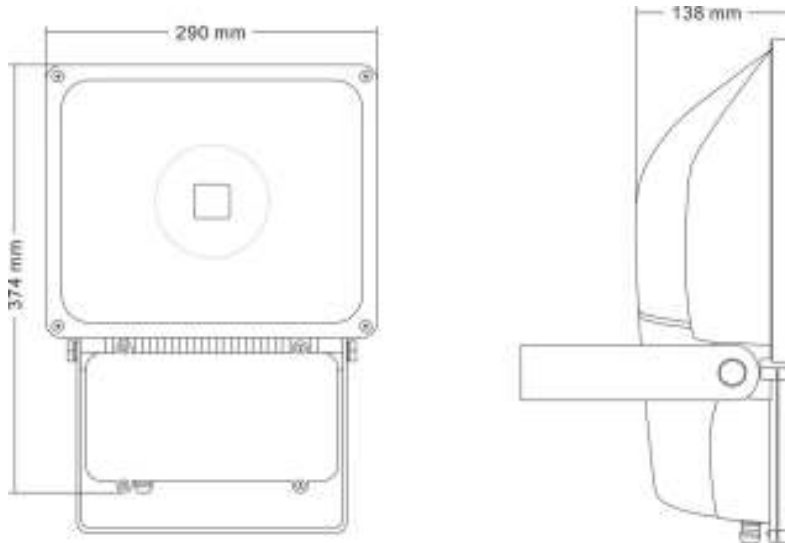
TEL: (02) 6224308 FAX: (02) 5598778 MOBILE: (0917) 8878378 / (0922) 8878374

STALL NO. 2M-15 168 MALL STA. ELENA ST., BINONDO, MANILA

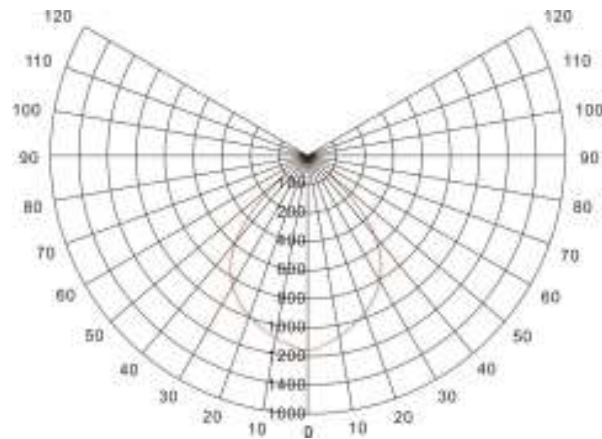
URL: [WWW.LED.PH](http://WWW.LED.PH)

EMAIL: [APPLED888@YAHOO.COM.PH](mailto:APPLED888@YAHOO.COM.PH)

## PRODUCT DIMENSIONS:



## PHOTOMETRIC RESULTS:



## ILLUMINANCE MEASUREMENT:

