



APPLIED ELECTRONICS ENTERPRISES CORPORATION

TEL: (02) 2545881 / 6224308 FAX: (02) 2545881 MOBILE: (0917) 8878378 / (0922) 8878374

STALL NO. 2M-15 168 MALL STA. ELENA ST., BINONDO, MANILA

URL: WWW.LED.PH

EMAIL: APPLED888@YAHOO.COM.PH

SPOT LIGHT (3W)

PARAMETER:

- **Type:** APP-SPHX3*1W-01
- **Light source:** 3 piece 1W
- **Power:** 3W
- **Long LED life:** More than 50,000 hours
- **Beam angle:** 38°
- **Low heat,** less than 55°C for 3W
- **No UV or IR light radiation**
- **Instant "ON" to 100% brightness**
- **No mercury or other inorganics**
- **Highest optical efficiency:** 80lm/watt
- **The 3W LED spot light is available in the Following white color temperatures:**
 - 2800K – 3500K (Warm White)**
 - 4000K – 5500K (Natural White)**
 - 6000K – 7000K (Cool White)**
- **3W LED spot light can achieve directional light output equal to 25W hologen spot light**
- **1 year limited warranty**
- **Safety Standard:** CE
- **Base:** E27/GU10/MR16
- **Works with worldwide electrical systems(E27,GU10:110 or 220V AC, MR16:12V DC)**
- **Weight:** 50 ± 2g
- **Available in non-dimmable and dimmable**



TYPICAL APPLICATIONS:

- **Spot lighting**
- **Show case lighting**
- **Display case accent**
- **Art work lighting**



APPLIED ELECTRONICS ENTERPRISES CORPORATION

TEL: (02) 2545881 / 6224308 FAX: (02) 2545881 MOBILE: (0917) 8878378 / (0922) 8878374

STALL NO. 2M-15 168 MALL STA. ELENA ST., BINONDO, MANILA

URL: WWW.LED.PH

EMAIL: APPLIED888@YAHOO.COM.PH

PRODUCT DIMENSIONS:

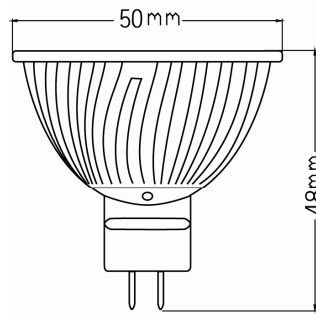


Fig 1. MR16 Base

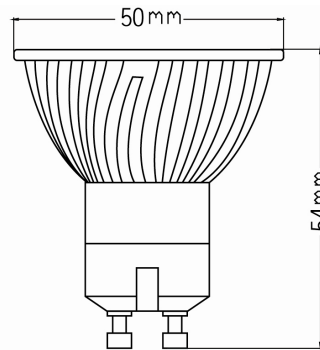


Fig 1. GU10 Base

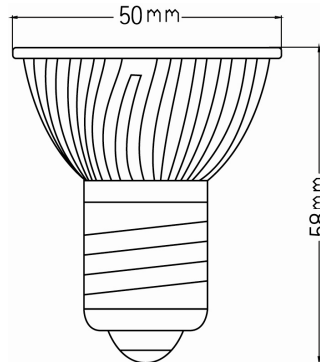


Fig 1. E27 Base

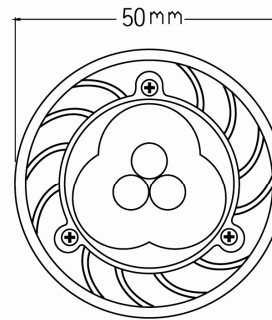


Fig 2. Top View

ILLUMINANCE MEASUREMENT:

