



APPLED ELECTRONICS ENTERPRISES CORPORATION

TEL: (02) 2545881 / 6224308 FAX: (02) 2545881 MOBILE: (0917) 8878378 / (0922) 8878374

STALL NO. 2M-15 168 MALL STA. ELENA ST., BINONDO, MANILA

URL: WWW.LED.PH

EMAIL: APPLED888@YAHOO.COM.PH

SPOT LIGHT (12W PAR38)

PARAMETER:

- **Type:** APP-PAR38-12W
- **Light source:** 12 piece 1W
- **Power:** 12W
- **Input Voltage:** 85-260V AC
- **Long LED life:** More than 50,000 hrs
- **Beam angle:** 15°/30°/45°/60°
- **Low heat,** less than 55°C for 12W
- **No UV or IR light radiation**
- **Instant "ON" to 100% brightness**
- **No mercury or other inorganics**
- **Colors:** Warm white(2800K–3500K)
Natural white(4000K–5500K)
Cool white(6000K–7000K)
Red, Yellow, Blue, Green
- **The 12W LED spot light is available in the following white**
- **12W LED spot light can achieve directional light output equal to 90W hologen spot light**
- **1 year limited warranty**
- **Safety Standard:** CE
- **Housing Material:** Aluminum
- **Base:** E27/E26/GU10
- **Works with worldwide electrical systems(110 or 220V AC)**
- **Weight:** 470 ± 2g
- **Available in non-dimmable and dimmable**



TYPICAL APPLICATIONS:

- **Energy saving programs**
- **Sustainable energy**
- **Replace standard GLS lamps**
- **Accent lighting**
- **Bath and vanity lighting**
- **Amusement park lighting**



APPLIED ELECTRONICS ENTERPRISES CORPORATION

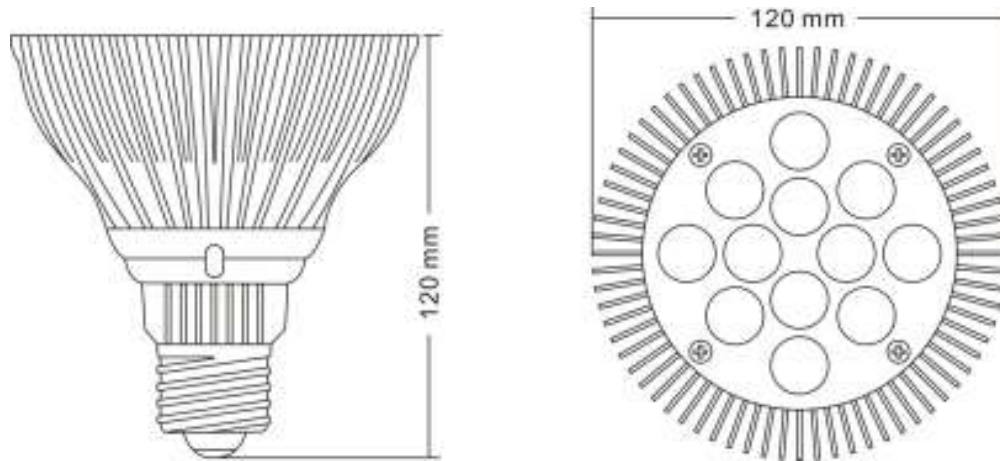
TEL: (02) 2545881 / 6224308 FAX: (02) 2545881 MOBILE: (0917) 8878378 / (0922) 8878374

STALL NO. 2M-15 168 MALL STA. ELENA ST., BINONDO, MANILA

URL: WWW.LED.PH

EMAIL: APPLIED888@YAHOO.COM.PH

PRODUCT DIMENSIONS:



ILLUMINANCE MEASUREMENT:

