



APPLIED ELECTRONICS ENTERPRISES CORPORATION

TEL: (02) 2545881 / 6224308 FAX: (02) 2545881 MOBILE: (0917) 8878378 / (0922) 8878374

STALL NO. 2M-15 168 MALL STA. ELENA ST., BINONDO, MANILA

URL: WWW.LED.PH

EMAIL: APPLIED888@YAHOO.COM.PH

FLOOD LIGHT (10W)

PARAMETER:

- **Type:** APP-FL-10W-01
- **Light source:** LED
- **Power:** 10W
- **Work voltage:** AC(85V-265V)/(50-60HZ)
- **Power factor(PF):** >0.9
- **Light efficiency:** 70-100 lm/w
- **Lumens:** >700LM
- **No UV or IR light radiation**
- **Fixture efficiency:** >90%
- **View angle:** 120°
- **Color instruction:** >80
- **Color temperature(CCT):** 2600-7000K
- **Life time:** >50,000 hrs
- **Luminance decrease:** keep lighting 1000hours decrease1%
- **IP grade:** IP65
- **CE certification**
- **Net weight:** 0.7kg
- **Dimension of the product:** 115*85*87mm
- **Dimension of the external box:** 31*55*20cm
- **Quantity (PCS):** 20 pcs in a carton



TYPICAL APPLICATIONS:

- **Energy Saving Programs**
- **exterior of building light**
- **on the bill board**



APPLIED ELECTRONICS ENTERPRISES CORPORATION

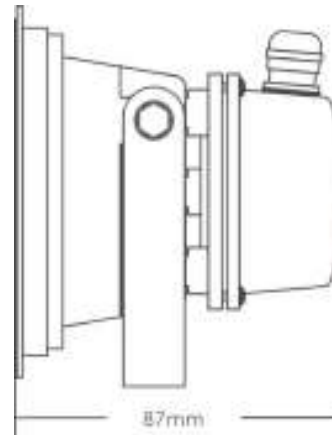
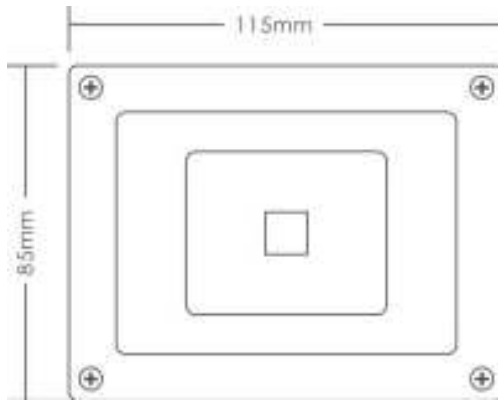
TEL: (02) 2545881 / 6224308 FAX: (02) 2545881 MOBILE: (0917) 8878378 / (0922) 8878374

STALL NO. 2M-15 168 MALL STA. ELENA ST., BINONDO, MANILA

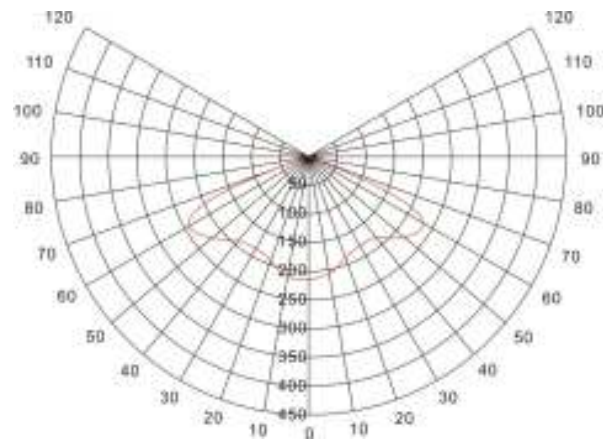
URL: WWW.LED.PH

EMAIL: APPLIED888@YAHOO.COM.PH

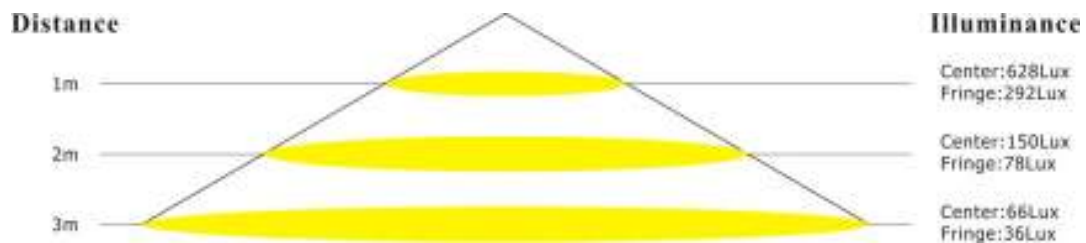
PRODUCT DIMENSIONS:



PHOTOMETRIC RESULTS:



ILLUMINANCE MEASUREMENT:





APPLIED ELECTRONICS ENTERPRISES CORPORATION

TEL: (02) 2545881 / 6224308 FAX: (02) 2545881 MOBILE: (0917) 8878378 / (0922) 8878374

STALL NO. 2M-15 168 MALL STA. ELENA ST., BINONDO, MANILA

URL: WWW.LED.PH

EMAIL: APPLED888@YAHOO.COM.PH

FLOOD LIGHT (10W)

PARAMETER:

- **Type:** APP-FL-10W-02
- **Light source:** LED
- **Power:** 10W
- **Work voltage:** AC(85V-265V)/(50-60HZ)
- **Power factor(PF):** >0.9
- **Light efficiency:** 70-100 lm/w
- **Lumens:** >700LM
- **No UV or IR light radiation**
- **Fixture efficiency:** >90%
- **View angle:** 40°
- **Color instruction:** >80
- **Color temperature(CCT):** 2600-7000K
- **Life time:** >50,000 hrs
- **Luminance decrease:** keep lighting 1000hours decrease1%
- **IP grade:** IP65
- **CE certification**
- **Net weight:** 0.7kg
- **Dimension of the product:** 115*85*87mm
- **Dimension of the external box:** 31*55*20cm
- **Quantity (PCS):** 20 pcs in a carton



TYPICAL APPLICATIONS:

- **Energy Saving Programs**
- **exterior of building light**
- **on the bill board**



APPLIED ELECTRONICS ENTERPRISES CORPORATION

TEL: (02) 2545881 / 6224308 FAX: (02) 2545881 MOBILE: (0917) 8878378 / (0922) 8878374

STALL NO. 2M-15 168 MALL STA. ELENA ST., BINONDO, MANILA

URL: WWW.LED.PH

EMAIL: APPLIED888@YAHOO.COM.PH

FLOOD LIGHT (20W)

PARAMETER:

- **Type:** APP-FL-20W-01
- **Light source:** LED
- **Power:** 20W
- **Work voltage:** AC(85V-265V)/(50-60HZ)
- **Power factor(PF):** >0.9
- **Light efficiency:** 70-100 lm/w
- **Lumens:** >1400LM
- **No UV or IR light radiation**
- **Fixture efficiency:** >90%
- **View angle:** 140°
- **Color instruction:** >80
- **Color temperature(CCT):** 2600-7000K
- **Life time:** >50,000 hrs
- **Luminance decrease:** keep lighting 1000hours decrease1%
- **IP grade:** IP65
- **CE certification**
- **Net weight:** 2.5kg
- **Dimension of the product:** 225*185*130mm
- **Dimension of the external box:** 56.5*34.5*26cm
- **Quantity (PCS):** 4 pcs in a carton



TYPICAL APPLICATIONS:

- **Energy Saving Programs**
- **exterior of building light**
- **on the bill board**



APPLIED ELECTRONICS ENTERPRISES CORPORATION

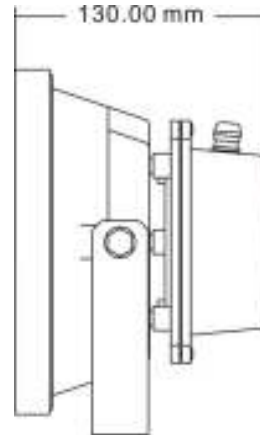
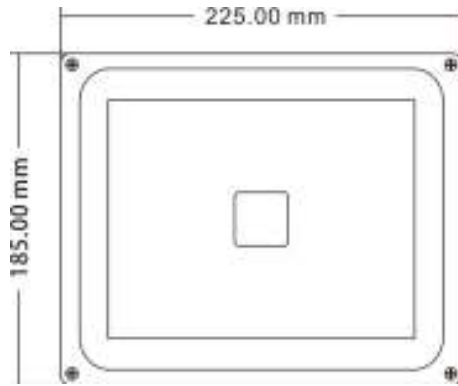
TEL: (02) 2545881 / 6224308 FAX: (02) 2545881 MOBILE: (0917) 8878378 / (0922) 8878374

STALL NO. 2M-15 168 MALL STA. ELENA ST., BINONDO, MANILA

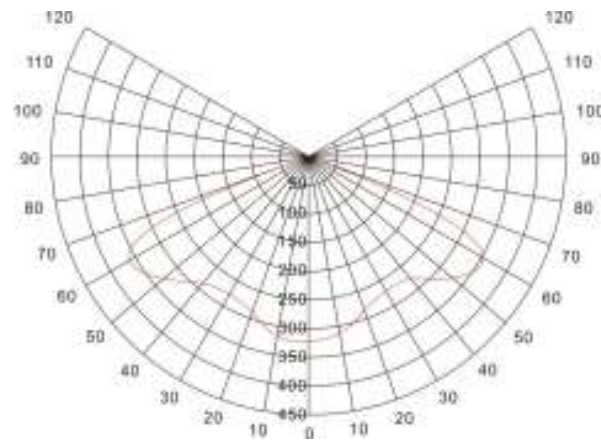
URL: WWW.LED.PH

EMAIL: APPLIED888@YAHOO.COM.PH

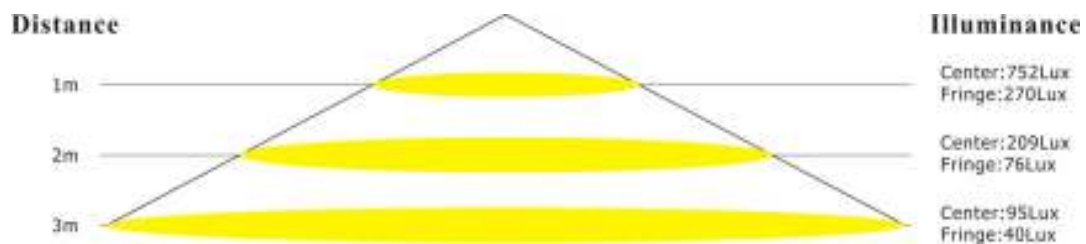
PRODUCT DIMENSIONS:



PHOTOMETRIC RESULTS:



ILLUMINANCE MEASUREMENT:





APPLIED ELECTRONICS ENTERPRISES CORPORATION

TEL: (02) 2545881 / 6224308 FAX: (02) 2545881 MOBILE: (0917) 8878378 / (0922) 8878374

STALL NO. 2M-15 168 MALL STA. ELENA ST., BINONDO, MANILA

URL: WWW.LED.PH

EMAIL: APPLIED888@YAHOO.COM.PH

FLOOD LIGHT (20W)

PARAMETER:

- **Type:** APP-FL-20W-02
- **Light source:** LED
- **Power:** 20W
- **Work voltage:** AC(85V-265V)/(50-60HZ)
- **Power factor(PF):** >0.9
- **Light efficiency:** 70-100 lm/w
- **Lumens:** >1400LM
- **No UV or IR light radiation**
- **Fixture efficiency:** >90%
- **View angle:** 90°
- **Color instruction:** >80
- **Color temperature(CCT):** 2600-7000K
- **Life time:** >50,000 hrs
- **Luminance decrease:** keep lighting 1000hours decrease1%
- **IP grade:** IP65
- **CE certification**
- **Net weight:** 2.5kg
- **Dimension of the product:** 225*185*130mm
- **Dimension of the external box:** 56.5*34.5*26cm
- **Quantity (PCS):** 4 pcs in a carton



TYPICAL APPLICATIONS:

- **Energy Saving Programs**
- **exterior of building light**
- **on the bill board**



APPLIED ELECTRONICS ENTERPRISES CORPORATION

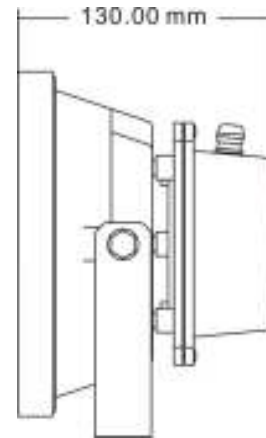
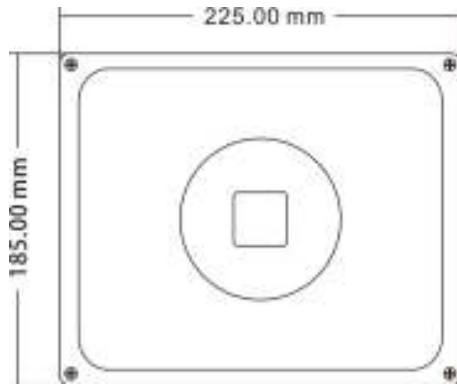
TEL: (02) 2545881 / 6224308 FAX: (02) 2545881 MOBILE: (0917) 8878378 / (0922) 8878374

STALL NO. 2M-15 168 MALL STA. ELENA ST., BINONDO, MANILA

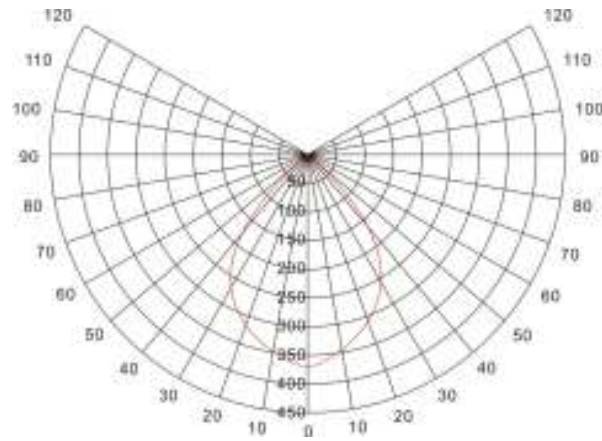
URL: WWW.LED.PH

EMAIL: APPLIED888@YAHOO.COM.PH

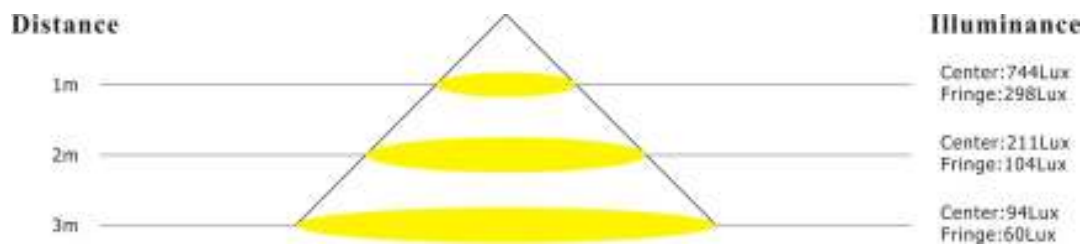
PRODUCT DIMENSIONS:



PHOTOMETRIC RESULTS:



ILLUMINANCE MEASUREMENT:





APPLIED ELECTRONICS ENTERPRISES CORPORATION

TEL: (02) 2545881 / 6224308 FAX: (02) 2545881 MOBILE: (0917) 8878378 / (0922) 8878374

STALL NO. 2M-15 168 MALL STA. ELENA ST., BINONDO, MANILA

URL: WWW.LED.PH

EMAIL: APPLIED888@YAHOO.COM.PH

FLOOD LIGHT (30W)

PARAMETER:

- **Type:** APP-FL-30W-01
- **Light source:** LED
- **Power:** 30W
- **Work voltage:** AC(85V-265V)/(50-60HZ)
- **Power factor(PF):** >0.9
- **Light efficiency:** 70-100 lm/w
- **Lumens:** >2100LM
- **No UV or IR light radiation**
- **Fixture efficiency:** >90%
- **View angle:** 140°
- **Color instruction:** >80
- **Color temperature(CCT):** 2600-7000K
- **Life time:** >50,000 hrs
- **Luminance decrease:** keep lighting 1000hours decrease1%
- **IP grade:** IP65
- **CE certification**
- **Net weight:** 2.5kg
- **Dimension of the product:** 225*185*130mm
- **Dimension of the external box:** 56.5*34.5*26cm
- **Quantity (PCS):** 4 pcs in a carton



TYPICAL APPLICATIONS:

- **Energy Saving Programs**
- **exterior of building light**
- **on the bill board**



APPLIED ELECTRONICS ENTERPRISES CORPORATION

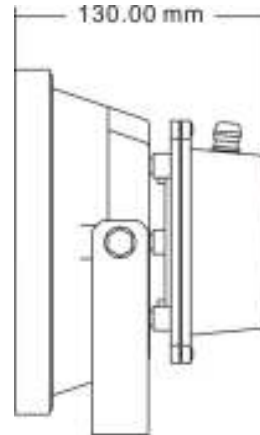
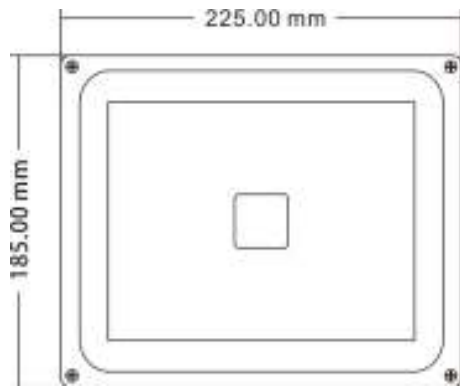
TEL: (02) 2545881 / 6224308 FAX: (02) 2545881 MOBILE: (0917) 8878378 / (0922) 8878374

STALL NO. 2M-15 168 MALL STA. ELENA ST., BINONDO, MANILA

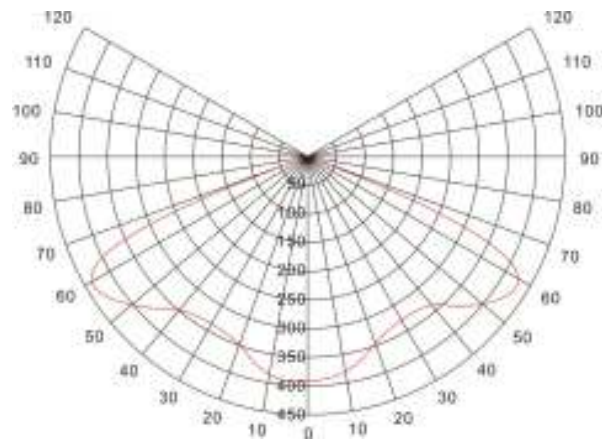
URL: WWW.LED.PH

EMAIL: APPLIED888@YAHOO.COM.PH

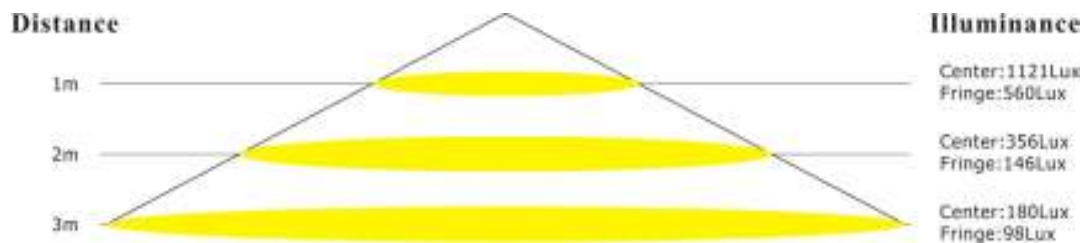
PRODUCT DIMENSIONS:



PHOTOMETRIC RESULTS:



ILLUMINANCE MEASUREMENT:





FLOOD LIGHT (30W)

PARAMETER:

- **Type: APP-FL-30W-02**
- **Light source: LED**
- **Power: 30W**
- **Work voltage: AC(85V-265V)/(50-60HZ)**
- **Power factor(PF): >0.9**
- **Light efficiency: 70-100 lm/w**
- **Lumens: >2100LM**
- **No UV or IR light radiation**
- **Fixture efficiency: >90%**
- **View angle: 90°**
- **Color instruction: >80**
- **Color temperature(CCT): 2600-7000K**
- **Life time: >50,000 hrs**
- **Luminance decrease: keep lighting 1000hours decrease1%**
- **IP grade: IP65**
- **CE certification**
- **Net weight: 2.5kg**
- **Dimension of the product: 225*185*130mm**
- **Dimension of the external box: 56.5*34.5*26cm**
- **Quantity (PCS): 4 pcs in a carton**



TYPICAL APPLICATIONS:

- **Energy Saving Programs**
- **exterior of building light**
- **on the bill board**



APPLIED ELECTRONICS ENTERPRISES CORPORATION

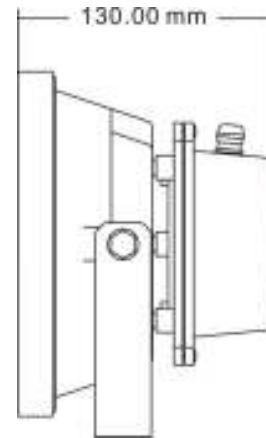
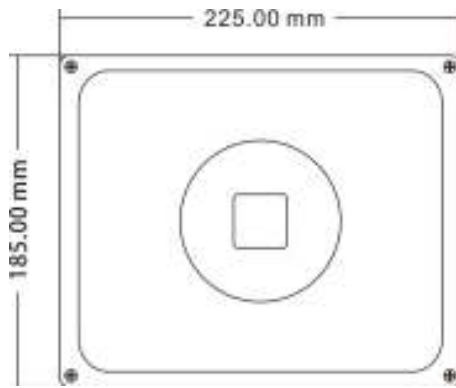
TEL: (02) 2545881 / 6224308 FAX: (02) 2545881 MOBILE: (0917) 8878378 / (0922) 8878374

STALL NO. 2M-15 168 MALL STA. ELENA ST., BINONDO, MANILA

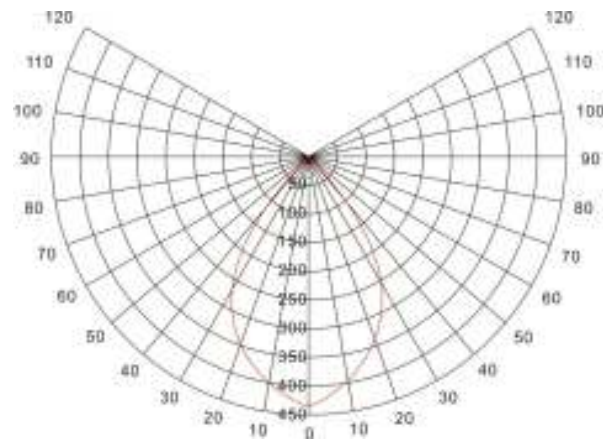
URL: WWW.LED.PH

EMAIL: APPLIED888@YAHOO.COM.PH

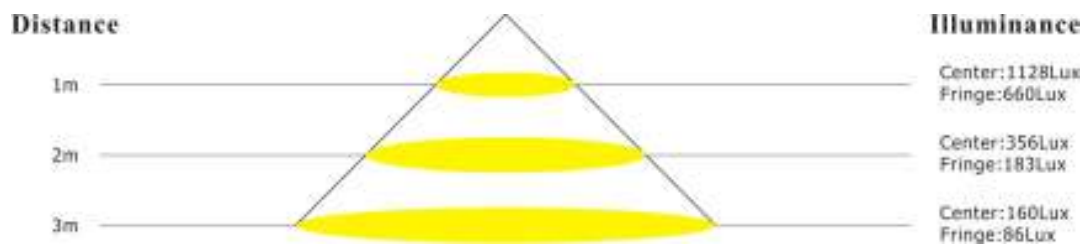
PRODUCT DIMENSIONS:



PHOTOMETRIC RESULTS:



ILLUMINANCE MEASUREMENT:





APPLIED ELECTRONICS ENTERPRISES CORPORATION

TEL: (02) 2545881 / 6224308 FAX: (02) 2545881 MOBILE: (0917) 8878378 / (0922) 8878374

STALL NO. 2M-15 168 MALL STA. ELENA ST., BINONDO, MANILA

URL: WWW.LED.PH

EMAIL: APPLIED888@YAHOO.COM.PH

FLOOD LIGHT (50W)

PARAMETER:

- **Type:** APP-FL-50W-01
- **Light source:** LED
- **Power:** 50W
- **Work voltage:** AC(85V-265V)/(50-60HZ)
- **Power factor(PF):** >0.9
- **Light efficiency:** 70-100 lm/w
- **Lumens:** >3500LM
- **No UV or IR light radiation**
- **Fixture efficiency:** >90%
- **View angle:** 140°
- **Color instruction:** >80
- **Color temperature(CCT):** 2600-7000K
- **Life time:** >50,000 hrs
- **Luminance decrease:** keep lighting 1000hours decrease1%
- **IP grade:** IP65
- **CE certification**
- **Net weight:** 3.5kg
- **Dimension of the product:** 287*236*160mm
- **Dimension of the external box:** 65.5*38*29cm
- **Quantity (PCS):** 4 pcs in a carton



TYPICAL APPLICATIONS:

- **Energy Saving Programs**
- **exterior of building light**
- **on the bill board**



APPLIED ELECTRONICS ENTERPRISES CORPORATION

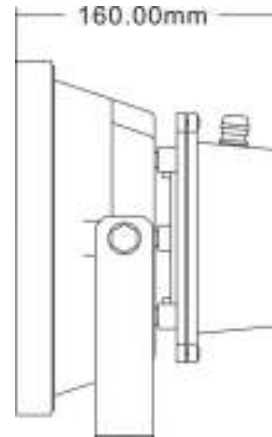
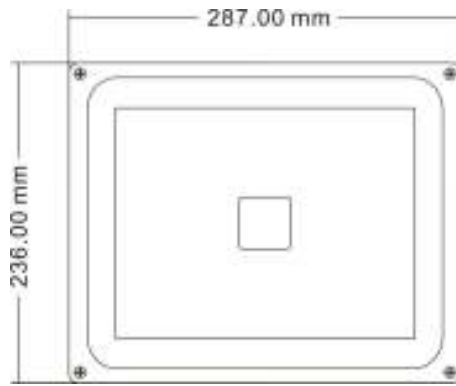
TEL: (02) 2545881 / 6224308 FAX: (02) 2545881 MOBILE: (0917) 8878378 / (0922) 8878374

STALL NO. 2M-15 168 MALL STA. ELENA ST., BINONDO, MANILA

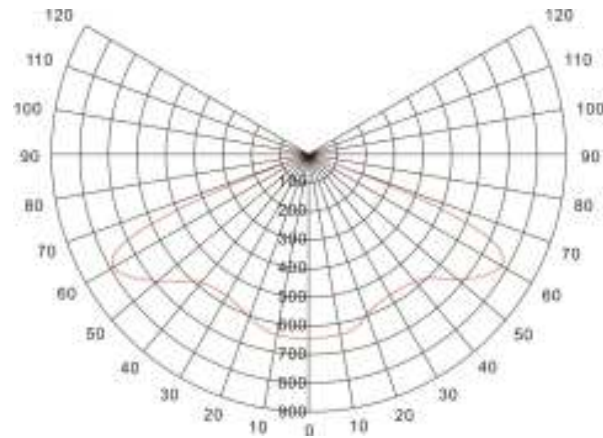
URL: WWW.LED.PH

EMAIL: APPLIED888@YAHOO.COM.PH

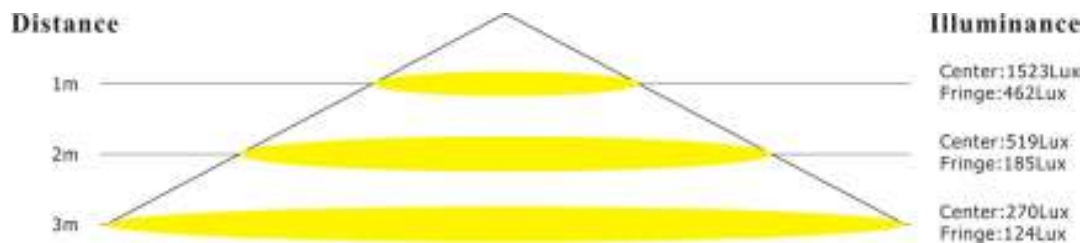
PRODUCT DIMENSIONS:



PHOTOMETRIC RESULTS:



ILLUMINANCE MEASUREMENT:





APPLIED ELECTRONICS ENTERPRISES CORPORATION

TEL: (02) 2545881 / 6224308 FAX: (02) 2545881 MOBILE: (0917) 8878378 / (0922) 8878374

STALL NO. 2M-15 168 MALL STA. ELENA ST., BINONDO, MANILA

URL: WWW.LED.PH

EMAIL: APPLIED888@YAHOO.COM.PH

FLOOD LIGHT (50W)

PARAMETER:

- **Type:** APP-FL-50W-02
- **Light source:** LED
- **Power:** 50W
- **Work voltage:** AC(85V-265V)/(50-60HZ)
- **Power factor(PF):** >0.9
- **Light efficiency:** 70-100 lm/w
- **Lumens:** >3500LM
- **No UV or IR light radiation**
- **Fixture efficiency:** >90%
- **View angle:** 90°
- **Color instruction:** >80
- **Color temperature(CCT):** 2600-7000K
- **Life time:** >50,000 hrs
- **Luminance decrease:** keep lighting 1000hours decrease1%
- **IP grade:** IP65
- **CE certification**
- **Net weight:** 3.5kg
- **Dimension of the product:** 287*236*160mm
- **Dimension of the external box:** 65.5*38*29cm
- **Quantity (PCS):** 4 pcs in a carton



TYPICAL APPLICATIONS:

- **Energy Saving Programs**
- **exterior of building light**
- **on the bill board**



APPLIED ELECTRONICS ENTERPRISES CORPORATION

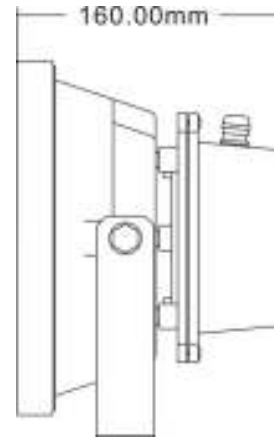
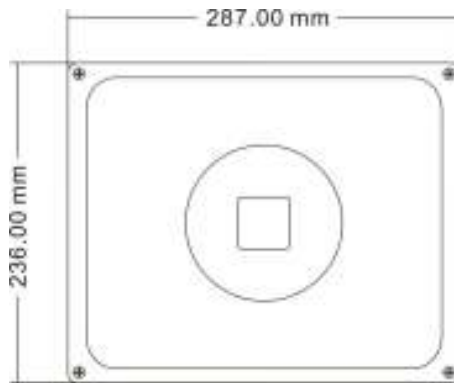
TEL: (02) 2545881 / 6224308 FAX: (02) 2545881 MOBILE: (0917) 8878378 / (0922) 8878374

STALL NO. 2M-15 168 MALL STA. ELENA ST., BINONDO, MANILA

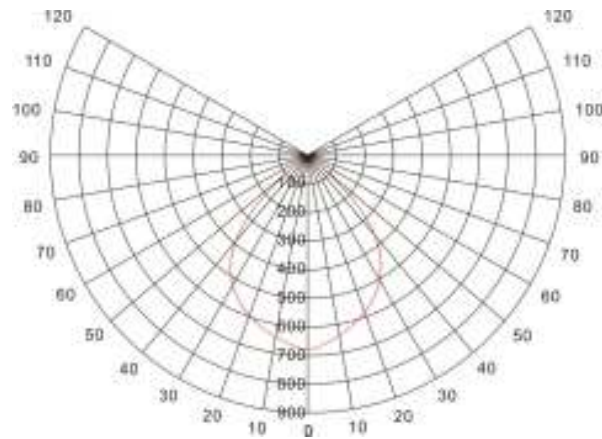
URL: WWW.LED.PH

EMAIL: APPLIED888@YAHOO.COM.PH

PRODUCT DIMENSIONS:



PHOTOMETRIC RESULTS:



ILLUMINANCE MEASUREMENT:

Distance



Illuminance

Center: 1609Lux
Fringe: 851Lux

Center: 686Lux
Fringe: 368Lux

Center: 260Lux
Fringe: 124Lux



APPLIED ELECTRONICS ENTERPRISES CORPORATION

TEL: (02) 2545881 / 6224308 FAX: (02) 2545881 MOBILE: (0917) 8878378 / (0922) 8878374

STALL NO. 2M-15 168 MALL STA. ELENA ST., BINONDO, MANILA

URL: WWW.LED.PH

EMAIL: APPLIED888@YAHOO.COM.PH

FLOOD LIGHT (70W)

PARAMETER:

- **Type:** APP-FL-70W-01
- **Light source:** LED
- **Power:** 70W
- **Work voltage:** AC(85V-265V)/(50-60HZ)
- **Power factor(PF):** >0.9
- **Light efficiency:** 70-100 lm/w
- **Lumens:** >4900LM
- **No UV or IR light radiation**
- **Fixture efficiency:** >90%
- **View angle:** 130°
- **Color instruction:** >80
- **Color temperature(CCT):** 2600-7000K
- **Life time:** >50,000 hrs
- **Luminance decrease: keep lighting 1000hours decrease1%**
- **IP grade:** IP65
- **CE certification**
- **Net weight:** 6.5kg
- **Dimension of the product:** 285*370*115mm
- **Dimension of the external box:** 45*32*30cm
- **Quantity (PCS):** 2 pcs in a carton



TYPICAL APPLICATIONS:

- **Energy Saving Programs**
- **exterior of building light**
- **on the bill board**



APPLIED ELECTRONICS ENTERPRISES CORPORATION

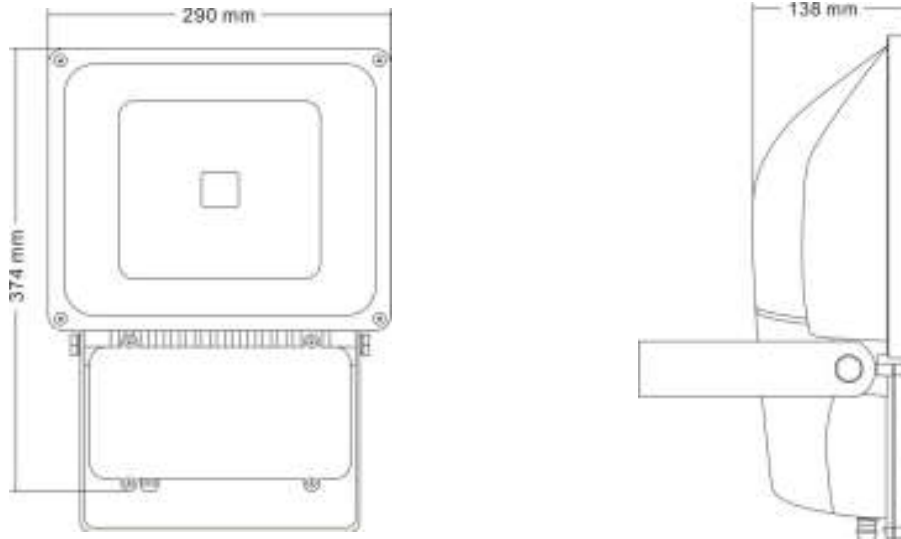
TEL: (02) 2545881 / 6224308 FAX: (02) 2545881 MOBILE: (0917) 8878378 / (0922) 8878374

STALL NO. 2M-15 168 MALL STA. ELENA ST., BINONDO, MANILA

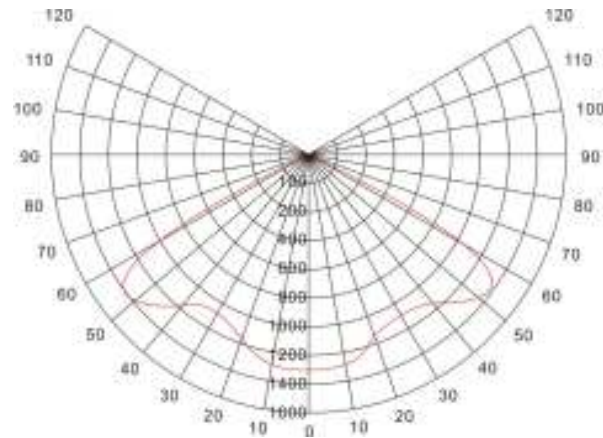
URL: WWW.LED.PH

EMAIL: APPLIED888@YAHOO.COM.PH

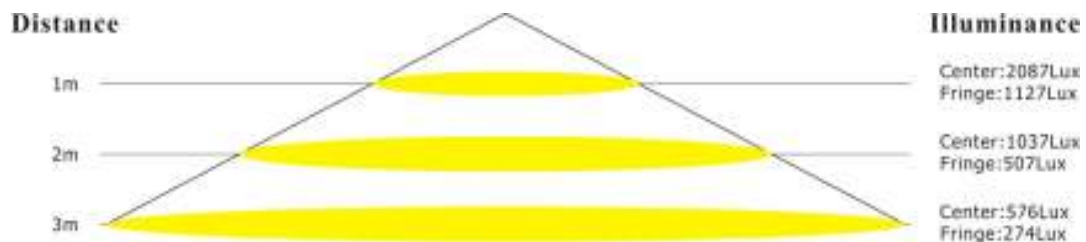
PRODUCT DIMENSIONS:



PHOTOMETRIC RESULTS:



ILLUMINANCE MEASUREMENT:





APPLIED ELECTRONICS ENTERPRISES CORPORATION

TEL: (02) 2545881 / 6224308 FAX: (02) 2545881 MOBILE: (0917) 8878378 / (0922) 8878374

STALL NO. 2M-15 168 MALL STA. ELENA ST., BINONDO, MANILA

URL: WWW.LED.PH

EMAIL: APPLIED888@YAHOO.COM.PH

FLOOD LIGHT (70W)

PARAMETER:

- **Type:** APP-FL-70W-02
- **Light source:** LED
- **Power:** 70W
- **Work voltage:** AC(85V-265V)/(50-60HZ)
- **Power factor(PF):** >0.9
- **Light efficiency:** 70-100 lm/w
- **Lumens:** >4900LM
- **No UV or IR light radiation**
- **Fixture efficiency:** >90%
- **View angle:** 90°
- **Color instruction:** >80
- **Color temperature(CCT):** 2600-7000K
- **Life time:** >50,000 hrs
- **Luminance decrease:** keep lighting 1000hours decrease1%
- **IP grade:** IP65
- **CE certification**
- **Net weight:** 6.5kg
- **Dimension of the product:** 285*370*115mm
- **Dimension of the external box:** 45*32*30cm
- **Quantity (PCS):** 2 pcs in a carton



TYPICAL APPLICATIONS:

- **Energy Saving Programs**
- **exterior of building light**
- **on the bill board**



APPLIED ELECTRONICS ENTERPRISES CORPORATION

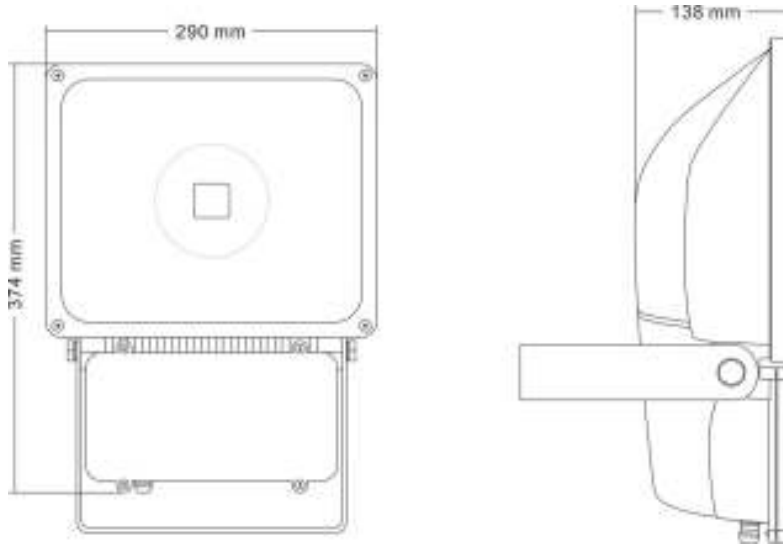
TEL: (02) 2545881 / 6224308 FAX: (02) 2545881 MOBILE: (0917) 8878378 / (0922) 8878374

STALL NO. 2M-15 168 MALL STA. ELENA ST., BINONDO, MANILA

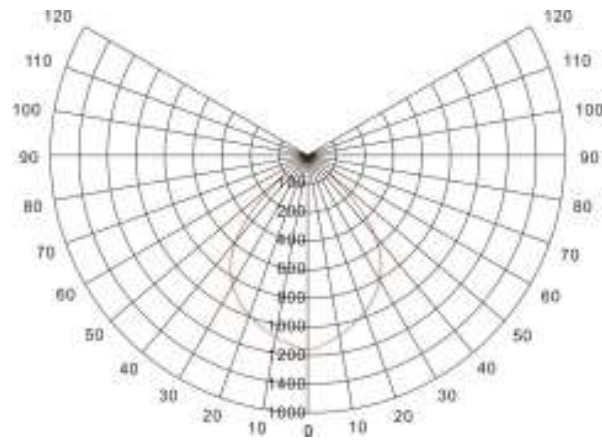
URL: WWW.LED.PH

EMAIL: APPLED888@YAHOO.COM.PH

PRODUCT DIMENSIONS:



PHOTOMETRIC RESULTS:



ILLUMINANCE MEASUREMENT:

Distance

1m

2m

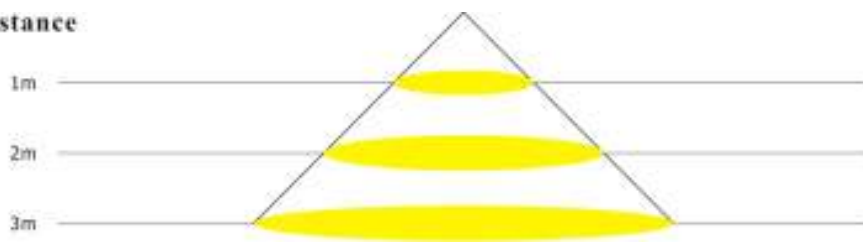
3m

Illuminance

Center: 2301Lux
Fringe: 1733Lux

Center: 1426Lux
Fringe: 811Lux

Center: 590Lux
Fringe: 274Lux





APPLIED ELECTRONICS ENTERPRISES CORPORATION

TEL: (02) 2545881 / 6224308 FAX: (02) 2545881 MOBILE: (0917) 8878378 / (0922) 8878374

STALL NO. 2M-15 168 MALL STA. ELENA ST., BINONDO, MANILA

URL: WWW.LED.PH

EMAIL: APPLIED888@YAHOO.COM.PH

FLOOD LIGHT (50W/60W/70W/80W)

PARAMETER:

- **Type:** APP-FL370-01 (50W/60W/70W/80W)
- **Light source:** LED
- **Power:** 50W/60W/70W/80W
- **Work voltage:** AC(85V-265V)/(50-60HZ)
- **Power factor(PF):** >0.9
- **Light efficiency:** 70-100 lm/w
- **No UV or IR light radiation**
- **Fixture efficiency:** >90%
- **View angle:** 130°
- **Color instruction:** >80
- **Color temperature(CCT):** 2600-7000K
- **Life time:** >50,000 hrs
- **Luminance decrease:** keep lighting 1000hours decrease1%
- **IP grade:** IP65
- **CE certification**
- **Net weight:** 7.5kg
- **Gross weight:** 8.5kg
- **Dimension of the product:** 393*285*93mm
- **Dimension of the external box:** 46*34*42.5cm
- **Quantity (PCS):** 2 pcs in a carton



TYPICAL APPLICATIONS:

- **Energy Saving Programs**
- **exterior of building light**
- **on the bill board**



APPLIED ELECTRONICS ENTERPRISES CORPORATION

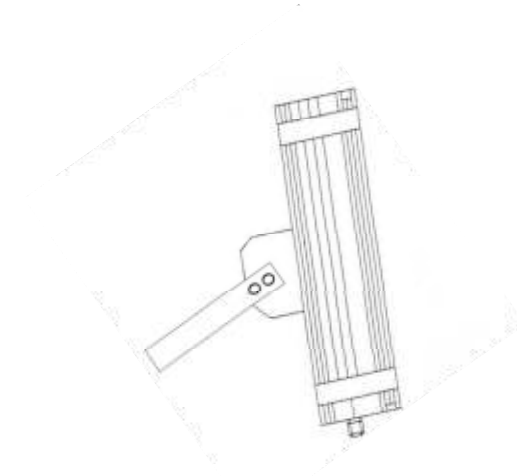
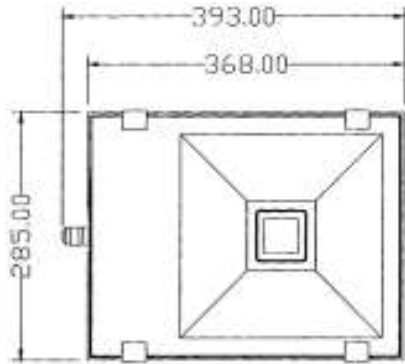
TEL: (02) 2545881 / 6224308 FAX: (02) 2545881 MOBILE: (0917) 8878378 / (0922) 8878374

STALL NO. 2M-15 168 MALL STA. ELENA ST., BINONDO, MANILA

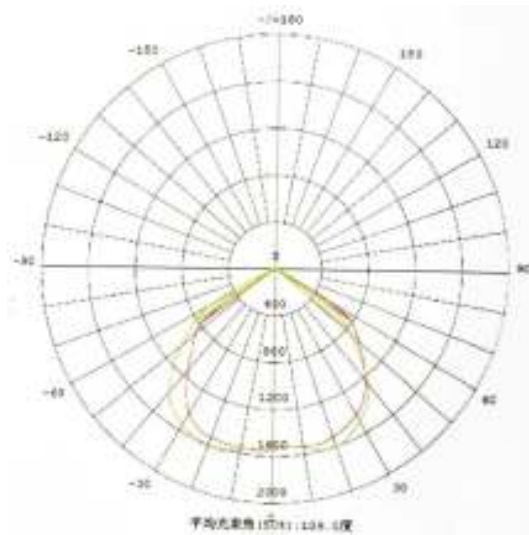
URL: WWW.LED.PH

EMAIL: APPLED888@YAHOO.COM.PH

PRODUCT DIMENSIONS:



PHOTOMETRIC RESULTS:





APPLIED ELECTRONICS ENTERPRISES CORPORATION

TEL: (02) 2545881 / 6224308 FAX: (02) 2545881 MOBILE: (0917) 8878378 / (0922) 8878374

STALL NO. 2M-15 168 MALL STA. ELENA ST., BINONDO, MANILA

URL: WWW.LED.PH

EMAIL: APPLIED888@YAHOO.COM.PH

FLOOD LIGHT (80W/100W/120W/140W)

PARAMETER:

- **Type:** APP-FL570-01 (80W/100W/120W/140W)
- **Light source:** LED
- **Power:** 80W/100W/120W/140W
- **Work voltage:** AC(85V-265V)/(50-60HZ)
- **Power factor(PF):** >0.9
- **Light efficiency:** 70-100 lm/w
- **No UV or IR light radiation**
- **Fixture efficiency:** >90%
- **View angle:** 130°
- **Color instruction:** >80
- **Color temperature(CCT):** 2600-7000K
- **Life time:** >50,000 hrs
- **Luminance decrease:** keep lighting 1000hours decrease1%
- **IP grade:** IP65
- **CE certification**
- **Net weight:** 11.2kg
- **Gross weight:** 12.5kg
- **Dimension of the product:** 593*285*93mm
- **Dimension of the external box:** 68*33*26cm
- **Quantity (PCS):** 1 pcs in a carton



TYPICAL APPLICATIONS:

- **Energy Saving Programs**
- **exterior of building light**
- **on the bill board**



APPLIED ELECTRONICS ENTERPRISES CORPORATION

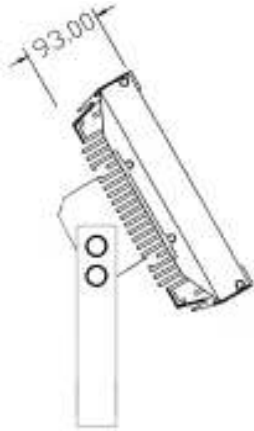
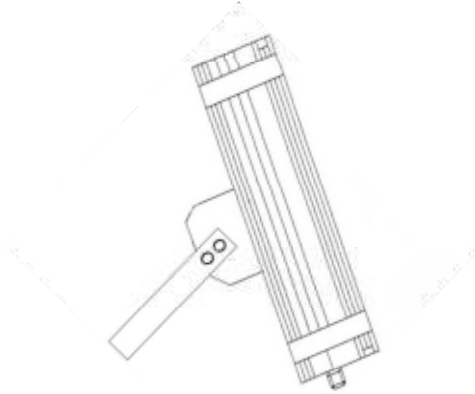
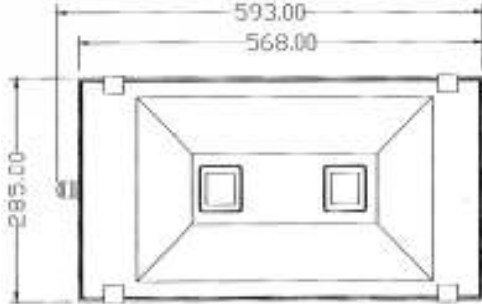
TEL: (02) 2545881 / 6224308 FAX: (02) 2545881 MOBILE: (0917) 8878378 / (0922) 8878374

STALL NO. 2M-15 168 MALL STA. ELENA ST., BINONDO, MANILA

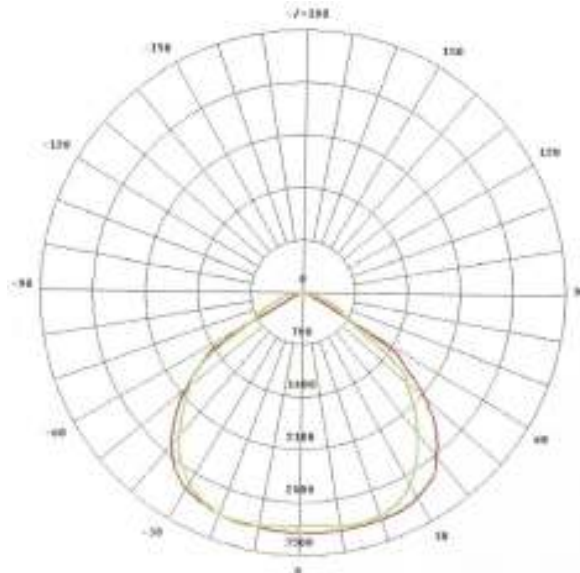
URL: WWW.LED.PH

EMAIL: APPLED888@YAHOO.COM.PH

PRODUCT DIMENSIONS:



PHOTOMETRIC RESULTS:





FLOOD LIGHT (50W/60W/70W/80W)

PARAMETER:

- **Type: APP-FL370-02 (50W/60W/70W/80W)**
- **Light source: LED**
- **Power: 50W/60W/70W/80W**
- **Work voltage: AC(85V-265V)/(50-60HZ)**
- **Power factor(PF): >0.9**
- **Light efficiency: 70-100 lm/w**
- **No UV or IR light radiation**
- **Fixture efficiency: >90%**
- **View angle: 40°**
- **Color instruction: >80**
- **Color temperature(CCT): 2600-7000K**
- **Life time: >50,000 hrs**
- **Luminance decrease: keep lighting 1000hours decrease1%**
- **IP grade: IP65**
- **CE certification**
- **Net weight: 7.5kg**
- **Gross weight: 8.5kg**
- **Dimension of the product: 393*285*93mm**
- **Dimension of the external box: 46*34*42.5cm**
- **Quantity (PCS): 2 pcs in a carton**



TYPICAL APPLICATIONS:

- **Energy Saving Programs**
- **exterior of building light**
- **on the bill board**



APPLIED ELECTRONICS ENTERPRISES CORPORATION

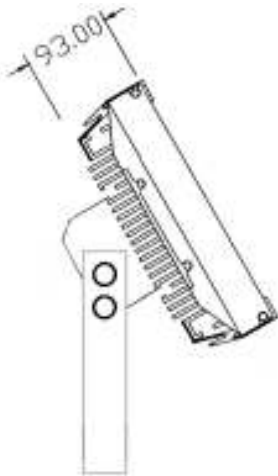
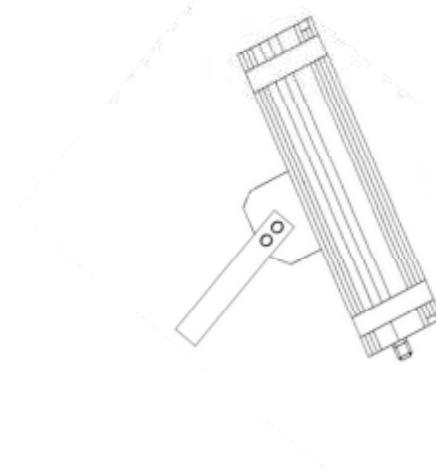
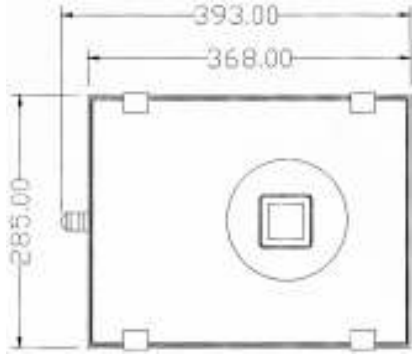
TEL: (02) 2545881 / 6224308 FAX: (02) 2545881 MOBILE: (0917) 8878378 / (0922) 8878374

STALL NO. 2M-15 168 MALL STA. ELENA ST., BINONDO, MANILA

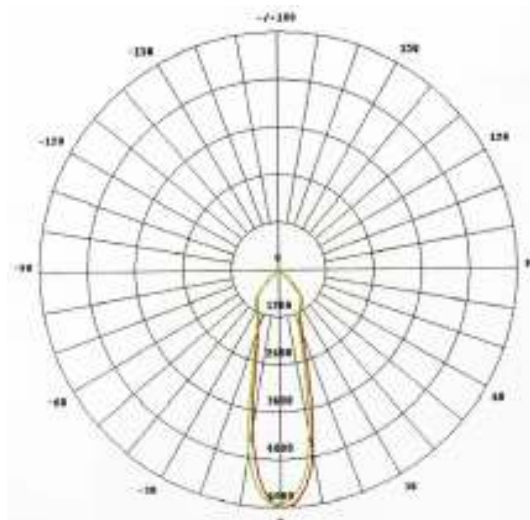
URL: WWW.LED.PH

EMAIL: APPLED888@YAHOO.COM.PH

PRODUCT DIMENSIONS:



PHOTOMETRIC RESULTS:





APPLIED ELECTRONICS ENTERPRISES CORPORATION

TEL: (02) 2545881 / 6224308 FAX: (02) 2545881 MOBILE: (0917) 8878378 / (0922) 8878374

STALL NO. 2M-15 168 MALL STA. ELENA ST., BINONDO, MANILA

URL: WWW.LED.PH

EMAIL: APPLIED888@YAHOO.COM.PH

FLOOD LIGHT (80W/100W/120W/140W)

PARAMETER:

- **Type:** APP-FL570-02 (80W/100W/120W/140W)
- **Light source:** LED
- **Power:** 80W/100W/120W/140W
- **Work voltage:** AC(85V-265V)/(50-60HZ)
- **Power factor(PF):** >0.9
- **Light efficiency:** 70-100 lm/w
- **No UV or IR light radiation**
- **Fixture efficiency:** >90%
- **View angle:** 40°
- **Color instruction:** >80
- **Color temperature(CCT):** 2600-7000K
- **Life time:** >50,000 hrs
- **Luminance decrease:** keep lighting 1000hours decrease1%
- **IP grade:** IP65
- **CE certification**
- **Net weight:** 11.2kg
- **Gross weight:** 12.5kg
- **Dimension of the product:** 593*285*93mm
- **Dimension of the external box:** 68*33*26cm
- **Quantity (PCS):** 1 pcs in a carton



TYPICAL APPLICATIONS:

- **Energy Saving Programs**
- **exterior of building light**
- **on the bill board**



APPLIED ELECTRONICS ENTERPRISES CORPORATION

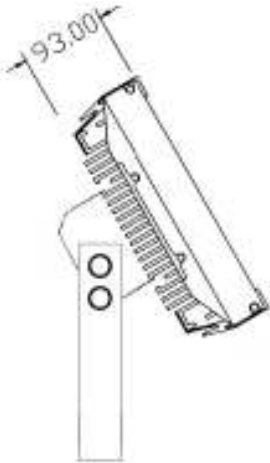
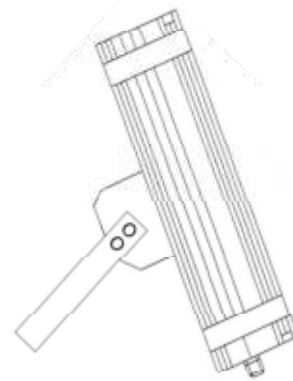
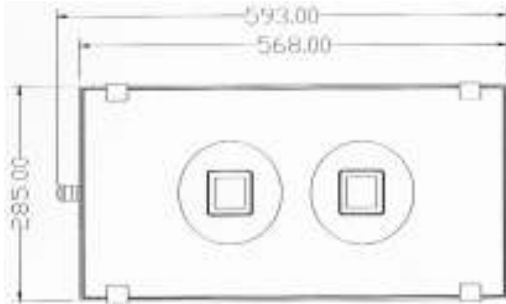
TEL: (02) 2545881 / 6224308 FAX: (02) 2545881 MOBILE: (0917) 8878378 / (0922) 8878374

STALL NO. 2M-15 168 MALL STA. ELENA ST., BINONDO, MANILA

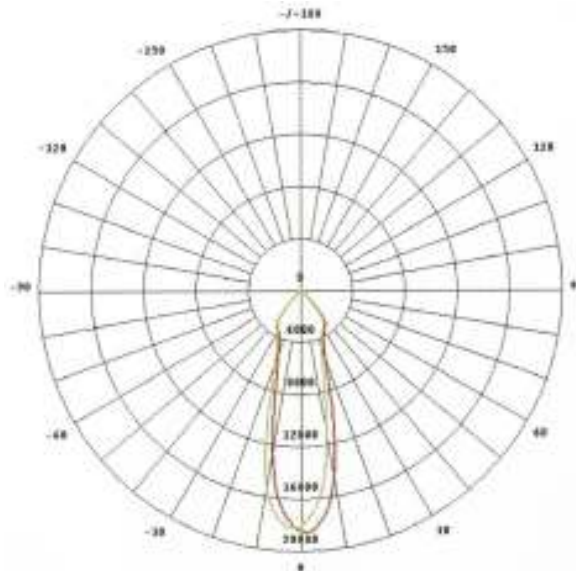
URL: WWW.LED.PH

EMAIL: APPLED888@YAHOO.COM.PH

PRODUCT DIMENSIONS:



PHOTOMETRIC RESULTS:





APPLIED ELECTRONICS ENTERPRISES CORPORATION

TEL: (02) 2545881 / 6224308 FAX: (02) 2545881 MOBILE: (0917) 8878378 / (0922) 8878374

STALL NO. 2M-15 168 MALL STA. ELENA ST., BINONDO, MANILA

URL: WWW.LED.PH

EMAIL: APPLIED888@YAHOO.COM.PH

FLOOD LIGHT (160W/180W/200W)

PARAMETER:

- **Type:** APP-FL550-160W/180W/200W-01
- **Light source:** LED
- **Power:** 160W/180W/200W
- **Work voltage:** AC(85V-265V)/(50-60HZ)
- **Power factor(PF):** >0.9
- **Light efficiency:** 70-100 lm/w
- **No UV or IR light radiation**
- **Fixture efficiency:** >90%
- **View angle:** 130°
- **Color instruction:** >80
- **Color temperature(CCT):** 2600-7000K
- **Life time:** >50,000 hrs
- **Luminance decrease:** keep lighting 1000hours decrease1%
- **IP grade:** IP65
- **CE certification**
- **Net weight:** 15.36kg
- **Gross weight:** 17kg
- **Dimension of the product:** 552*397*172mm
- **Dimension of the external box:** 62*46*24cm
- **Quantity (PCS):** 1 pcs in a carton



TYPICAL APPLICATIONS:

- **Energy Saving Programs**
- **exterior of building light**
- **on the bill board**



APPLIED ELECTRONICS ENTERPRISES CORPORATION

TEL: (02) 2545881 / 6224308 FAX: (02) 2545881 MOBILE: (0917) 8878378 / (0922) 8878374

STALL NO. 2M-15 168 MALL STA. ELENA ST., BINONDO, MANILA

URL: WWW.LED.PH

EMAIL: APPLIED888@YAHOO.COM.PH

FLOOD LIGHT (160W/180W/200W)

PARAMETER:

- **Type:** APP-FL550-160W/180W/200W-02
- **Light source:** LED
- **Power:** 160W/180W/200W
- **Work voltage:** AC(85V-265V)/(50-60HZ)
- **Power factor(PF):** >0.9
- **Light efficiency:** 70-100 lm/w
- **No UV or IR light radiation**
- **Fixture efficiency:** >90%
- **View angle:** 40°
- **Color instruction:** >80
- **Color temperature(CCT):** 2600-7000K
- **Life time:** >50,000 hrs
- **Luminance decrease:** keep lighting 1000hours decrease1%
- **IP grade:** IP65
- **CE certification**
- **Net weight:** 15.36kg
- **Gross weight:** 17kg
- **Dimension of the product:** 552*397*172mm
- **Dimension of the external box:** 62*46*24cm
- **Quantity (PCS):** 1 pcs in a carton



TYPICAL APPLICATIONS:

- **Energy Saving Programs**
- **exterior of building light**
- **on the bill board**



APPLIED ELECTRONICS ENTERPRISES CORPORATION

TEL: (02) 2545881 / 6224308 FAX: (02) 2545881 MOBILE: (0917) 8878378 / (0922) 8878374

STALL NO. 2M-15 168 MALL STA. ELENA ST., BINONDO, MANILA

URL: WWW.LED.PH

EMAIL: APPLED888@YAHOO.COM.PH

PROJECTS:





APPLIED ELECTRONICS ENTERPRISES CORPORATION

TEL: (02) 2545881 / 6224308 FAX: (02) 2545881 MOBILE: (0917) 8878378 / (0922) 8878374

STALL NO. 2M-15 168 MALL STA. ELENA ST., BINONDO, MANILA

URL: WWW.LED.PH

EMAIL: APPLIED888@YAHOO.COM.PH





APPLIED ELECTRONICS ENTERPRISES CORPORATION

TEL: (02) 2545881 / 6224308 FAX: (02) 2545881 MOBILE: (0917) 8878378 / (0922) 8878374

STALL NO. 2M-15 168 MALL STA. ELENA ST., BINONDO, MANILA

URL: WWW.LED.PH

EMAIL: APPLED888@YAHOO.COM.PH





APPLIED ELECTRONICS ENTERPRISES CORPORATION

TEL: (02) 2545881 / 6224308 FAX: (02) 2545881 MOBILE: (0917) 8878378 / (0922) 8878374

STALL NO. 2M-15 168 MALL STA. ELENA ST., BINONDO, MANILA

URL: WWW.LED.PH

EMAIL: APPLED888@YAHOO.COM.PH

LED FLOODLIGHTS WITH SOLAR PANELS SYSTEM:

