



## APPLED ELECTRONICS ENTERPRISES CORPORATION

TEL: (02) 2545881 / 6224308 FAX: (02) 2545881 MOBILE: (0917) 8878378 / (0922) 8878374

STALL NO. 2M-15 168 MALL SOLER ST., BINONDO, MANILA, PHILIPPINES 1006

URL: [WWW.LED.PH](http://WWW.LED.PH)

EMAIL: [APPLED888@YAHOO.COM.PH](mailto:APPLED888@YAHOO.COM.PH)

# DOWN LIGHT (3W)

## PARAMETER:

- **Model:** APP-DL1\*3W
- **Color of the housing:** silver color
- **Power:** 3W
- **Light source:** 1\*3W
- **LED Q'ty:** 1pcs
- **Beam angle:** 30°/60°
- **Body operating temperature:** ≤58 °C
- **Led operating temperature:** ≤65 °C
- **Ambient temperature:** -25 °C- 45 °C
- **IP grade:** IP44
- **Color temperature:** 2500K-6500K
- **Luminous flux(lm):** 210lm-cool white,150lm-warm white
- **Luminous efficacy:** 70lm/w- cool white,50lm/w- warm white
- **Life span:** 50,000 hrs
- **Hole:** Ø55mm
- **Net weight:** 130g
- **Gross weight:** 150g
- **Dimension of the product(dia. \* H):** Ø59\*63 mm
- **Dimension of the external box(L \* W \* H):** 70\*55\*35cm
- **Quantity (PCS):** 80 pcs in a carton



## TYPICAL APPLICATIONS:

- **Hotel hall**
- **In business building**
- **Meeting room**
- **Office**



# APPLED ELECTRONICS ENTERPRISES CORPORATION

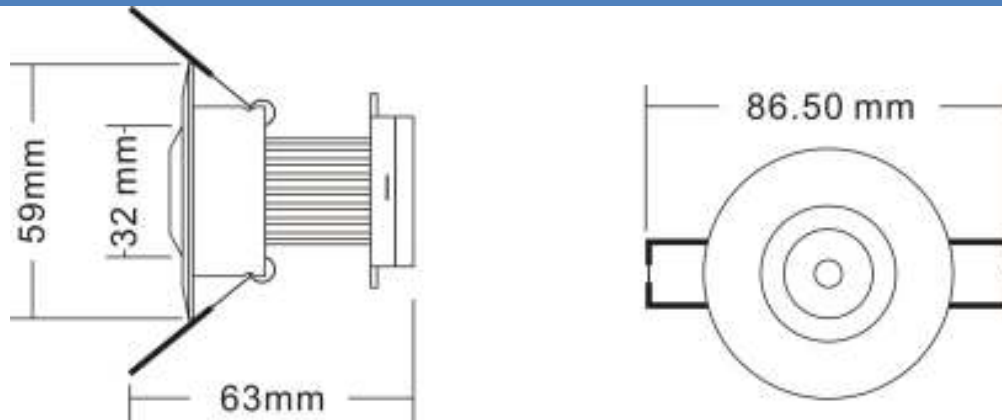
TEL: (02) 2545881 / 6224308 FAX: (02) 2545881 MOBILE: (0917) 8878378 / (0922) 8878374

STALL NO. 2M-15 168 MALL SOLER ST., BINONDO, MANILA, PHILIPPINES 1006

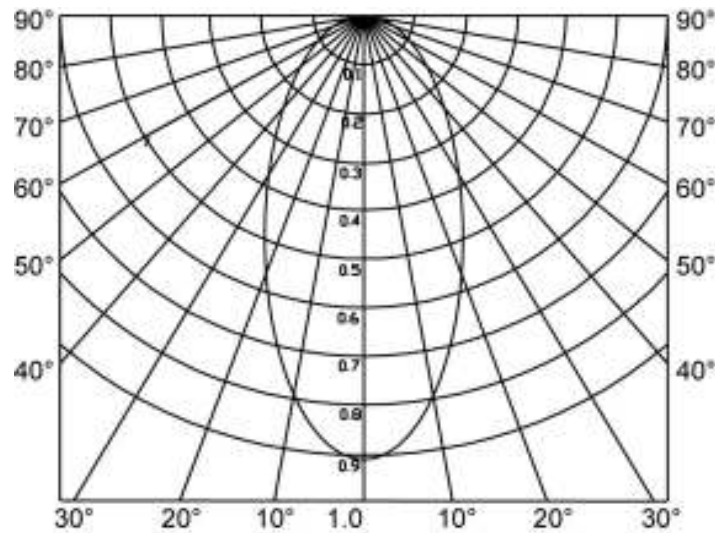
URL: [WWW.LED.PH](http://WWW.LED.PH)

EMAIL: [APPLED888@YAHOO.COM.PH](mailto:APPLED888@YAHOO.COM.PH)

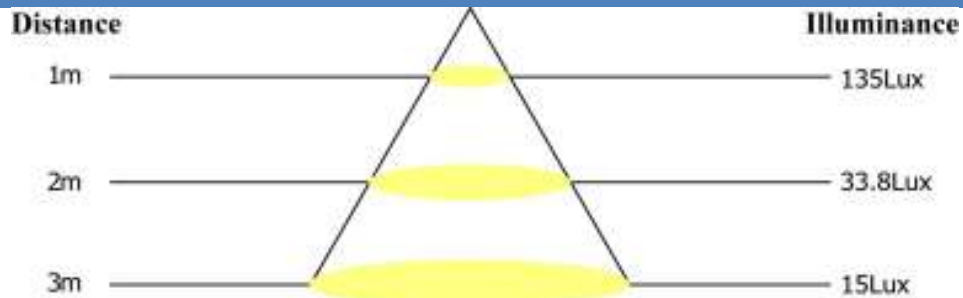
## PRODUCT DIMENSIONS:



## PHOTOMETRIC RESULTS:



## ILLUMINANCE MEASUREMENT(COOL WHITE / ANGLE:60°):





# APPLED ELECTRONICS ENTERPRISES CORPORATION

TEL: (02) 2545881 / 6224308 FAX: (02) 2545881 MOBILE: (0917) 8878378 / (0922) 8878374

STALL NO. 2M-15 168 MALL SOLER ST., BINONDO, MANILA, PHILIPPINES 1006

URL: [WWW.LED.PH](http://WWW.LED.PH)

EMAIL: [APPLED888@YAHOO.COM.PH](mailto:APPLED888@YAHOO.COM.PH)

## DOWN LIGHT (3W)

### PARAMETER:

- **Model:** APP-DL3\*1W
- **Color of the housing:** silver color
- **Power:** 3W
- **Light source:** 3\*1W
- **LED Q'ty:** 3pcs
- **Beam angle:** 30°/60°
- **Body operating temperature:** ≤58 °C
- **Led operating temperature:** ≤65 °C
- **Ambient temperature:** -25 °C- 45 °C
- **IP grade:** IP44
- **Color temperature:** 2500K-6500K
- **Luminous flux(lm):** 240lm-cool white,180lm-warm white
- **Luminous efficacy:** 80lm/w- cool white,60lm/w- warm white
- **Life span:** 50,000 hrs
- **Hole:** Ø85mm
- **Net weight:** 230g
- **Gross weight:** 260g
- **Dimension of the product(dia. \* H):** Ø90\*82 mm
- **Dimension of the external box(L \* W \* H):** 47\*48\*34cm
- **Quantity (PCS):** 40 pcs in a carton
- **Available in non-dimmable and dimmable**



### TYPICAL APPLICATIONS:

- **Hotel hall**
- **In business building**
- **Meeting room**
- **Office**



# APPLED ELECTRONICS ENTERPRISES CORPORATION

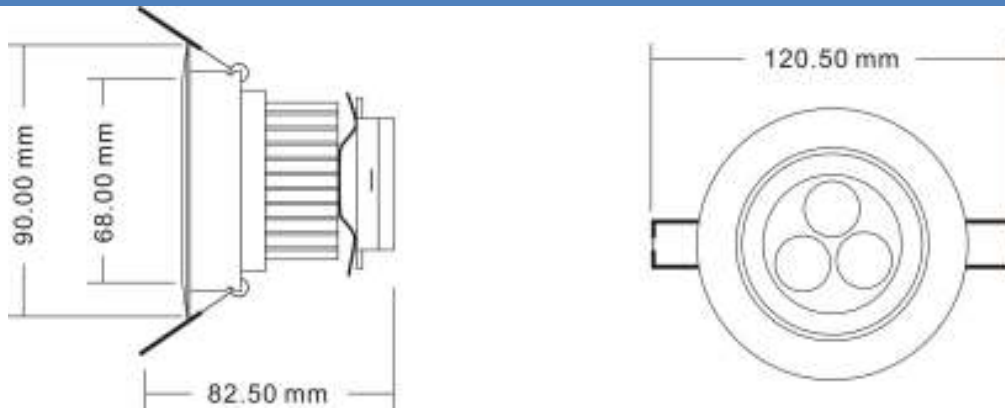
TEL: (02) 2545881 / 6224308 FAX: (02) 2545881 MOBILE: (0917) 8878378 / (0922) 8878374

STALL NO. 2M-15 168 MALL SOLER ST., BINONDO, MANILA, PHILIPPINES 1006

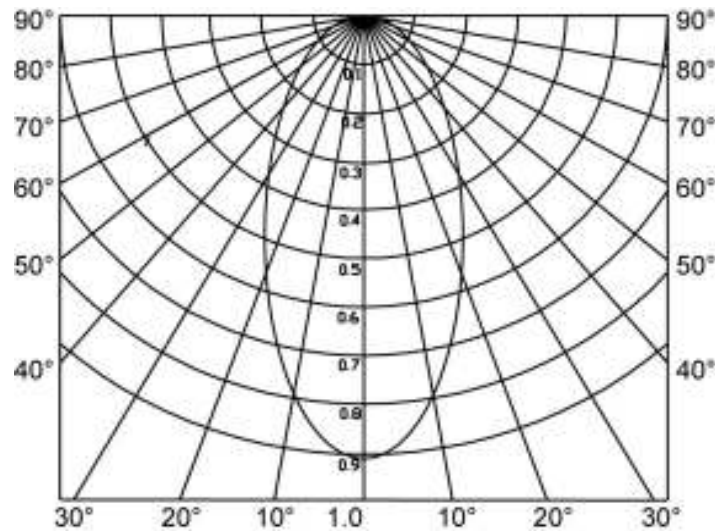
URL: [WWW.LED.PH](http://WWW.LED.PH)

EMAIL: [APPLED888@YAHOO.COM.PH](mailto:APPLED888@YAHOO.COM.PH)

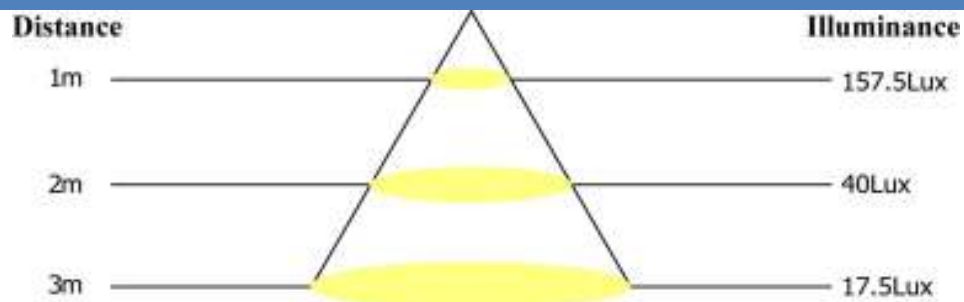
## PRODUCT DIMENSIONS:



## PHOTOMETRIC RESULTS:



## ILLUMINANCE MEASUREMENT(COOL WHITE / ANGLE:60°):





# APPLED ELECTRONICS ENTERPRISES CORPORATION

TEL: (02) 2545881 / 6224308 FAX: (02) 2545881 MOBILE: (0917) 8878378 / (0922) 8878374

STALL NO. 2M-15 168 MALL SOLER ST., BINONDO, MANILA, PHILIPPINES 1006

URL: [WWW.LED.PH](http://WWW.LED.PH)

EMAIL: [APPLED888@YAHOO.COM.PH](mailto:APPLED888@YAHOO.COM.PH)

## DOWN LIGHT (4W)

### PARAMETER:

- **Model:** APP-DL4\*1W
- **Color of the housing:** silver color
- **Power:** 4W
- **Light source:** 4\*1W
- **LED Q'ty:** 4pcs
- **Beam angle:** 30°/60°
- **Body operating temperature:** ≤58 °C
- **Led operating temperature:** ≤65 °C
- **Ambient temperature:** -25 °C- 45 °C
- **IP grade:** IP44
- **Color temperature:** 2500K-6500K
- **Luminous flux(lm):** 320lm-cool white,240lm-warm white
- **Luminous efficacy:** 80lm/w- cool white,60lm/w- warm white
- **Life span:** 50,000 hrs
- **Hole:** Φ105mm
- **Net weight:** 280g
- **Gross weight:** 300g
- **Dimension of the product(dia. \* H):** Φ110\*82 mm
- **Dimension of the external box(L \* W \* H):** 47\*48\*34cm
- **Quantity (PCS):** 40 pcs in a carton
- **Available in non-dimmable and dimmable**



### TYPICAL APPLICATIONS:

- **Hotel hall**
- **In business building**
- **Meeting room**
- **Office**



# APPLED ELECTRONICS ENTERPRISES CORPORATION

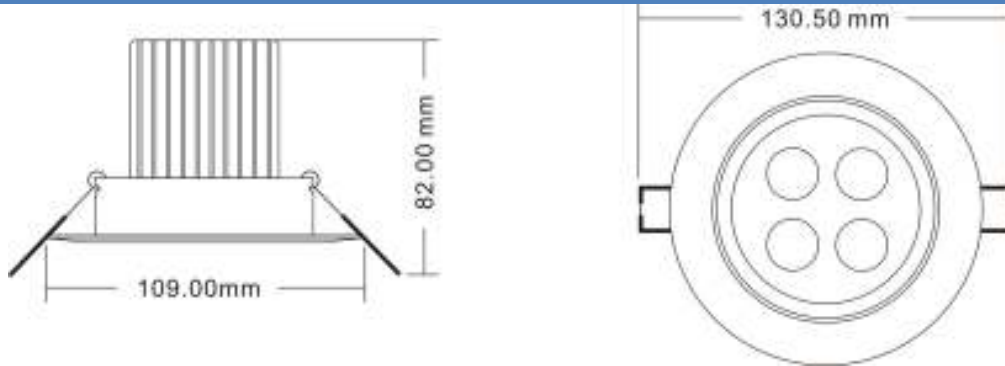
TEL: (02) 2545881 / 6224308 FAX: (02) 2545881 MOBILE: (0917) 8878378 / (0922) 8878374

STALL NO. 2M-15 168 MALL SOLER ST., BINONDO, MANILA, PHILIPPINES 1006

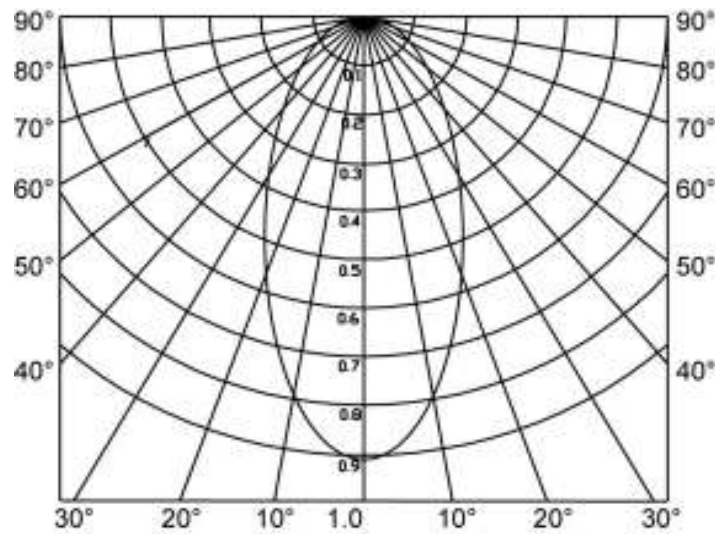
URL: [WWW.LED.PH](http://WWW.LED.PH)

EMAIL: [APPLED888@YAHOO.COM.PH](mailto:APPLED888@YAHOO.COM.PH)

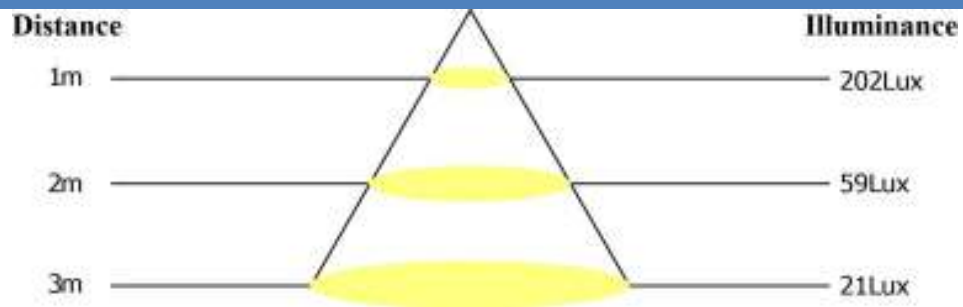
## PRODUCT DIMENSIONS:



## PHOTOMETRIC RESULTS:



## ILLUMINANCE MEASUREMENT(COOL WHITE / ANGLE:60°):





## APPLED ELECTRONICS ENTERPRISES CORPORATION

TEL: (02) 2545881 / 6224308 FAX: (02) 2545881 MOBILE: (0917) 8878378 / (0922) 8878374

STALL NO. 2M-15 168 MALL SOLER ST., BINONDO, MANILA, PHILIPPINES 1006

URL: [WWW.LED.PH](http://WWW.LED.PH)

EMAIL: [APPLED888@YAHOO.COM.PH](mailto:APPLED888@YAHOO.COM.PH)

# DOWN LIGHT (5W)

## PARAMETER:

- **Model:** APP-DL5\*1W
- **Color of the housing:** silver color
- **Power:** 5W
- **Light source:** 5\*1W
- **LED Q'ty:** 5pcs
- **Beam angle:** 30°/60°
- **Body operating temperature:** ≤58 °C
- **Led operating temperature:** ≤65 °C
- **Ambient temperature:** -25 °C- 45 °C
- **IP grade:** IP44
- **Color temperature:** 2500K-6500K
- **Luminous flux(lm):** 400lm-cool white,300lm-warm white
- **Luminous efficacy:** 80lm/w- cool white,60lm/w- warm white
- **Life span:** 50,000 hrs
- **Hole:** Φ105mm
- **Net weight:** 300g
- **Gross weight:** 330g
- **Dimension of the product(dia. \* H):** Φ110\*82 mm
- **Dimension of the external box(L \* W \* H):** 47\*48\*34cm
- **Quantity (PCS):** 40 pcs in a carton
- **Available in non-dimmable and dimmable**



## TYPICAL APPLICATIONS:

- **Hotel hall**
- **In business building**
- **Meeting room**
- **Office**



# APPLED ELECTRONICS ENTERPRISES CORPORATION

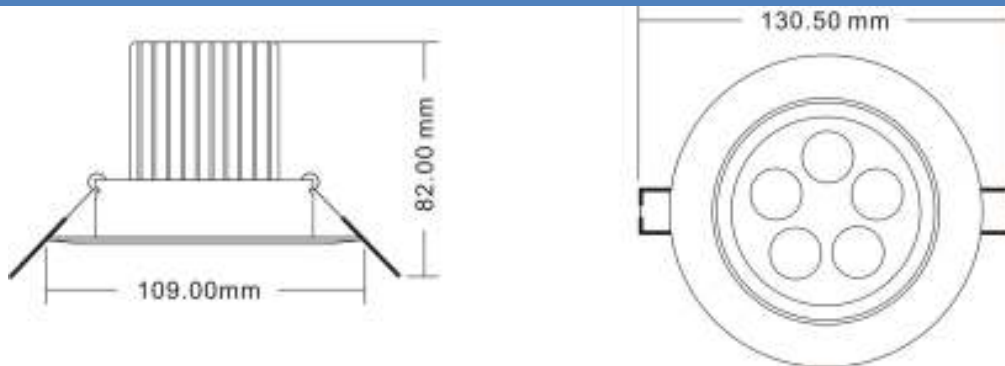
TEL: (02) 2545881 / 6224308 FAX: (02) 2545881 MOBILE: (0917) 8878378 / (0922) 8878374

STALL NO. 2M-15 168 MALL SOLER ST., BINONDO, MANILA, PHILIPPINES 1006

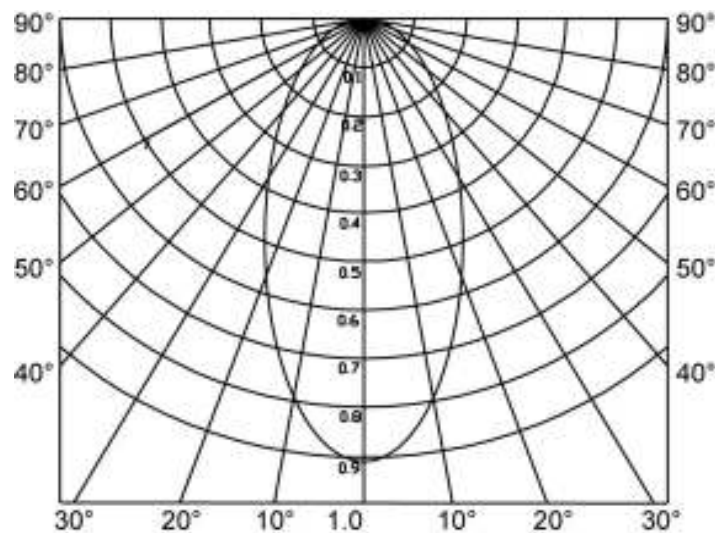
URL: [WWW.LED.PH](http://WWW.LED.PH)

EMAIL: [APPLED888@YAHOO.COM.PH](mailto:APPLED888@YAHOO.COM.PH)

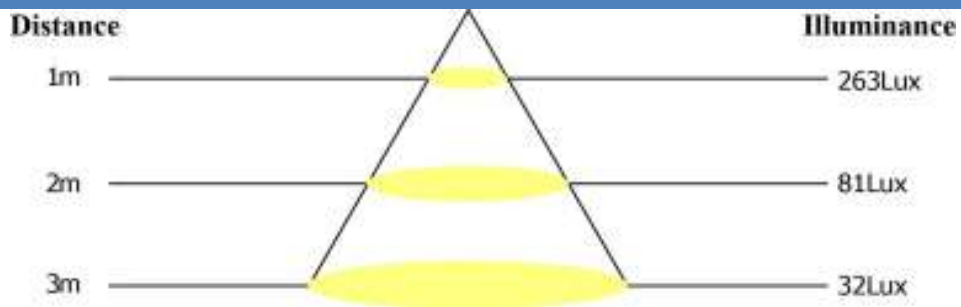
## PRODUCT DIMENSIONS:



## PHOTOMETRIC RESULTS:



## ILLUMINANCE MEASUREMENT(COOL WHITE / ANGLE:60°):







## APPLED ELECTRONICS ENTERPRISES CORPORATION

TEL: (02) 2545881 / 6224308 FAX: (02) 2545881 MOBILE: (0917) 8878378 / (0922) 8878374

STALL NO. 2M-15 168 MALL SOLER ST., BINONDO, MANILA, PHILIPPINES 1006

URL: [WWW.LED.PH](http://WWW.LED.PH)

EMAIL: [APPLED888@YAHOO.COM.PH](mailto:APPLED888@YAHOO.COM.PH)

# DOWN LIGHT (7W)

## PARAMETER:

- **Model:** APP-DL7\*1W
- **Color of the housing:** silver color
- **Power:** 7W
- **Light source:** 7\*1W
- **LED Q'ty:** 7pcs
- **Beam angle:** 30°/60°
- **Body operating temperature:** ≤58 °C
- **Led operating temperature:** ≤65 °C
- **Ambient temperature:** -25 °C- 45 °C
- **IP grade:** IP44
- **Color temperature:** 2500K-6500K
- **Luminous flux(lm):** 560lm-cool white,420lm-warm white
- **Luminous efficacy:** 80lm/w- cool white,60lm/w- warm white
- **Life span:** 50,000 hrs
- **Hole:** Φ105mm
- **Net weight:** 320g
- **Gross weight:** 350g
- **Dimension of the product(dia. \* H):** Φ110\*82 mm
- **Dimension of the external box(L \* W \* H):** 47\*48\*34cm
- **Quantity (PCS):** 40 pcs in a carton
- **Available in non-dimmable and dimmable**



## TYPICAL APPLICATIONS:

- **Hotel hall**
- **In business building**
- **Meeting room**
- **Office**



# APPLED ELECTRONICS ENTERPRISES CORPORATION

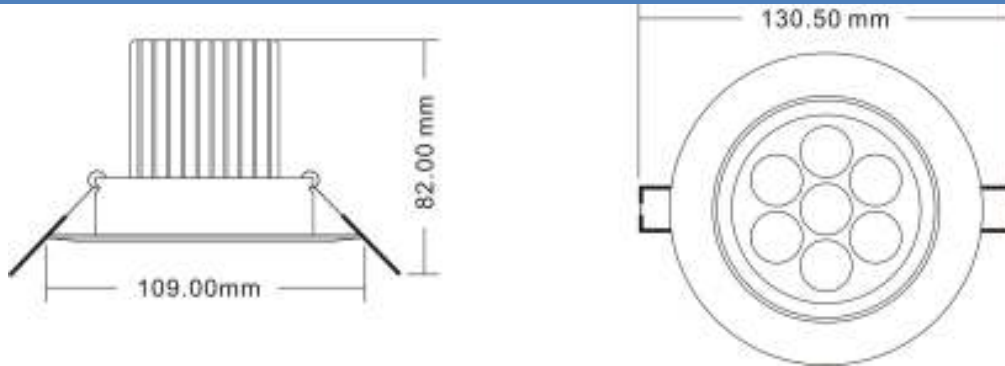
TEL: (02) 2545881 / 6224308 FAX: (02) 2545881 MOBILE: (0917) 8878378 / (0922) 8878374

STALL NO. 2M-15 168 MALL SOLER ST., BINONDO, MANILA, PHILIPPINES 1006

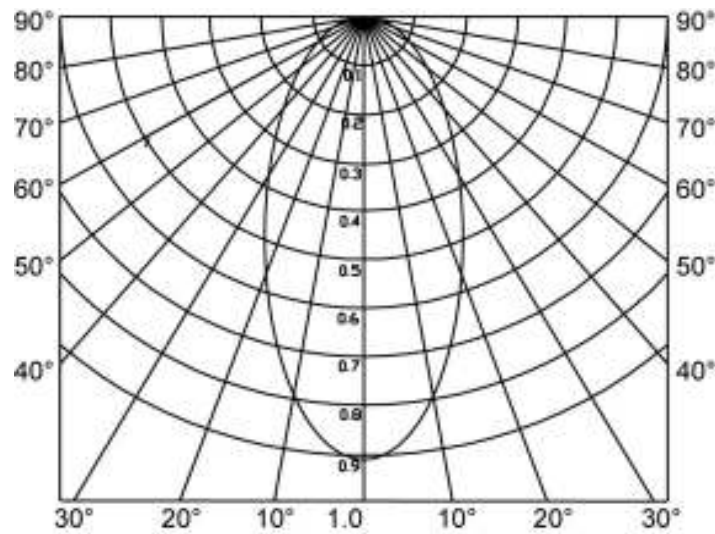
URL: [WWW.LED.PH](http://WWW.LED.PH)

EMAIL: [APPLED888@YAHOO.COM.PH](mailto:APPLED888@YAHOO.COM.PH)

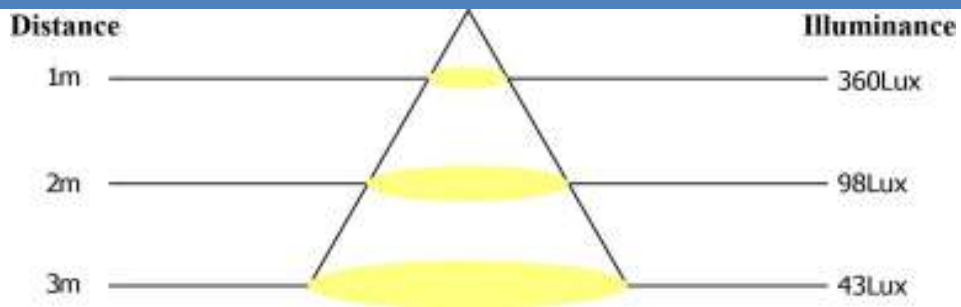
## PRODUCT DIMENSIONS:



## PHOTOMETRIC RESULTS:



## ILLUMINANCE MEASUREMENT(COOL WHITE / ANGLE:60°):





# APPLED ELECTRONICS ENTERPRISES CORPORATION

TEL: (02) 2545881 / 6224308 FAX: (02) 2545881 MOBILE: (0917) 8878378 / (0922) 8878374

STALL NO. 2M-15 168 MALL SOLER ST., BINONDO, MANILA, PHILIPPINES 1006

URL: [WWW.LED.PH](http://WWW.LED.PH)

EMAIL: [APPLED888@YAHOO.COM.PH](mailto:APPLED888@YAHOO.COM.PH)

## DOWN LIGHT (9W)

### PARAMETER:

- **Model:** APP-DL3\*3W
- **Color of the housing:** silver color
- **Power:** 9W
- **Light source:** 3\*3W
- **LED Q'ty:** 1pcs
- **Beam angle:** 30°/60°
- **Body operating temperature:** ≤58 °C
- **Led operating temperature:** ≤65 °C
- **Ambient temperature:** -25 °C- 45 °C
- **IP grade:** IP44
- **Color temperature:** 2500K-6500K
- **Luminous flux(lm):** 720lm-cool white,540lm-warm white
- **Luminous efficacy:** 80lm/w- cool white,60lm/w- warm white
- **Life span:** 50,000 hrs
- **Hole:** Ø85mm
- **Net weight:** 370g
- **Gross weight:** 400g
- **Dimension of the product(dia. \* H):** Ø90\*107.5 mm
- **Dimension of the external box(L \* W \* H):** 47\*48\*34cm
- **Quantity (PCS):** 40 pcs in a carton



### TYPICAL APPLICATIONS:

- **Hotel hall**
- **In business building**
- **Meeting room**
- **Office**



# APPLED ELECTRONICS ENTERPRISES CORPORATION

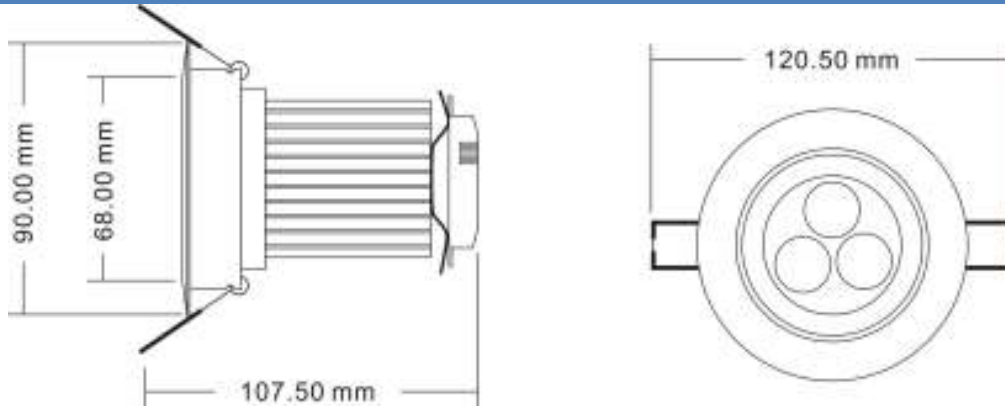
TEL: (02) 2545881 / 6224308 FAX: (02) 2545881 MOBILE: (0917) 8878378 / (0922) 8878374

STALL NO. 2M-15 168 MALL SOLER ST., BINONDO, MANILA, PHILIPPINES 1006

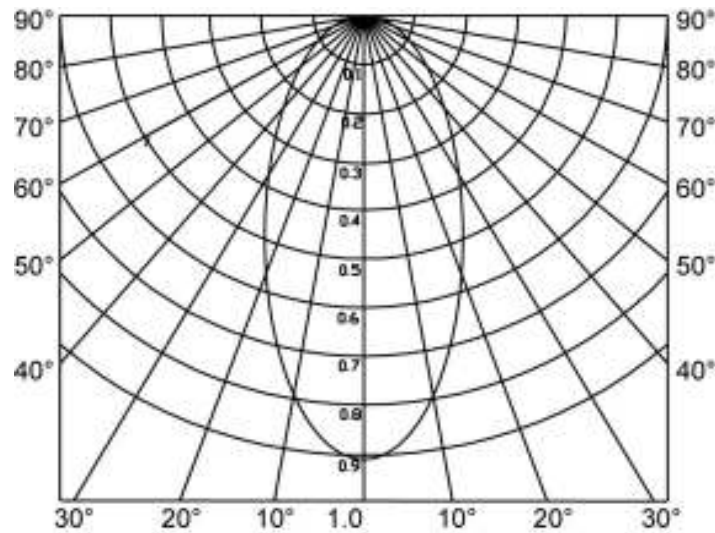
URL: [WWW.LED.PH](http://WWW.LED.PH)

EMAIL: [APPLED888@YAHOO.COM.PH](mailto:APPLED888@YAHOO.COM.PH)

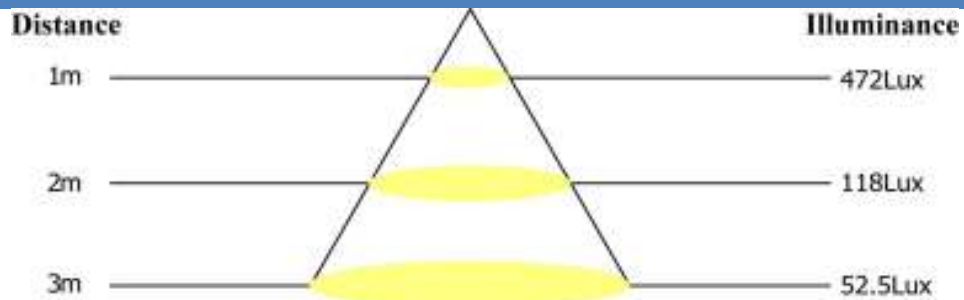
## PRODUCT DIMENSIONS:



## PHOTOMETRIC RESULTS:



## ILLUMINANCE MEASUREMENT(COOL WHITE / ANGLE:60°):





## APPLED ELECTRONICS ENTERPRISES CORPORATION

TEL: (02) 2545881 / 6224308 FAX: (02) 2545881 MOBILE: (0917) 8878378 / (0922) 8878374

STALL NO. 2M-15 168 MALL SOLER ST., BINONDO, MANILA, PHILIPPINES 1006

URL: [WWW.LED.PH](http://WWW.LED.PH)

EMAIL: [APPLED888@YAHOO.COM.PH](mailto:APPLED888@YAHOO.COM.PH)

# DOWN LIGHT (10W)

## PARAMETER:

- **Model:** APP-DLYY10W-01
- **Color of the housing:** silver color. (Normal color of the housing is : Silver or White, if you need other colors for the housing, black or gold color should be customized in advance)
- **Power:** 10W
- **Light source:** 1\*10W
- **LED Q'ty:** 1pcs
- **Beam angle:** 60 °
- **Body operating temperature:** ≤58 °C
- **Led operating temperature:** ≤65 °C
- **Ambient temperature:** -25 °C- 45 °C
- **IP grade:** IP44
- **Color temperature:** 2500K-6500K
- **Luminous flux(lm):** 800lm-cool white,600lm-warm white
- **Luminous efficacy:** 80lm/w- cool white,60lm/w- warm white
- **Life span:** 50,000 hrs
- **Hole:** Φ110mm
- **Net weight:** 630g
- **Gross weight:** 650g
- **Dimension of the product(dia. \* H):** Φ118\*105 mm
- **Dimension of the external box(L \* W \* H):** 61.5\*37.5\*47cm
- **Quantity (PCS):** 45 pcs in a carton



## TYPICAL APPLICATIONS:

- **Hotel hall**
- **In business building**
- **Meeting room**
- **Office**



# APPLED ELECTRONICS ENTERPRISES CORPORATION

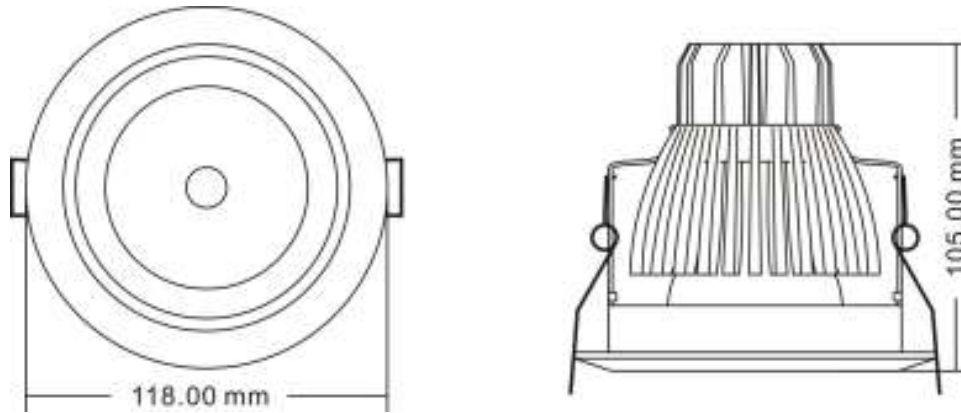
TEL: (02) 2545881 / 6224308 FAX: (02) 2545881 MOBILE: (0917) 8878378 / (0922) 8878374

STALL NO. 2M-15 168 MALL SOLER ST., BINONDO, MANILA, PHILIPPINES 1006

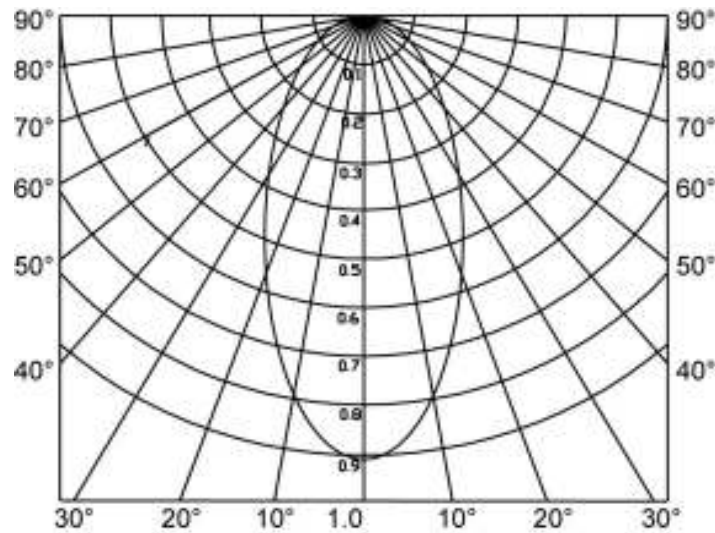
URL: [WWW.LED.PH](http://WWW.LED.PH)

EMAIL: [APPLED888@YAHOO.COM.PH](mailto:APPLED888@YAHOO.COM.PH)

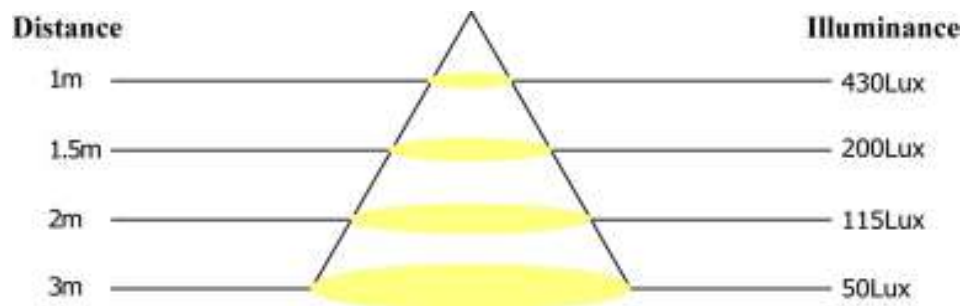
## PRODUCT DIMENSIONS:



## PHOTOMETRIC RESULTS:



## ILLUMINANCE MEASUREMENT(COOL WHITE / ANGLE:60°):





## APPLED ELECTRONICS ENTERPRISES CORPORATION

TEL: (02) 2545881 / 6224308 FAX: (02) 2545881 MOBILE: (0917) 8878378 / (0922) 8878374

STALL NO. 2M-15 168 MALL SOLER ST., BINONDO, MANILA, PHILIPPINES 1006

URL: [WWW.LED.PH](http://WWW.LED.PH)

EMAIL: [APPLED888@YAHOO.COM.PH](mailto:APPLED888@YAHOO.COM.PH)

# DOWN LIGHT (10W)

## PARAMETER:

- **Model:** APP-DLYY10W-02
- **Color of the housing:** silver color.  
(Normal color of the housing is : Silver or White, if you need other colors for the housing, black or gold color should be customized in advance)
- **Power:** 10W
- **Light source:** 1\*10W
- **LED Q'ty:** 1pcs
- **Beam angle:** 60 °
- **Body operating temperature:** ≤58 °C
- **Led operating temperature:** ≤65 °C
- **Ambient temperature:** -25 °C- 45 °C
- **IP grade:** IP44
- **Color temperature:** 2500K-6500K
- **Luminous flux(lm):** 800lm-cool white,600lm-warm white
- **Luminous efficacy:** 80lm/w- cool white,60lm/w- warm white
- **Life span:** 50,000 hrs
- **Hole:** Φ135mm
- **Net weight:** 880g
- **Gross weight:** 900g
- **Dimension of the product(dia. \* H):** Φ150\*155 mm
- **Dimension of the external box(L \* W \* H):** 50\*40\*34cm
- **Quantity (PCS):** 12 pcs in a carton



## TYPICAL APPLICATIONS:

- **Hotel hall**
- **In business building**
- **Meeting room**
- **Office**



# APPLED ELECTRONICS ENTERPRISES CORPORATION

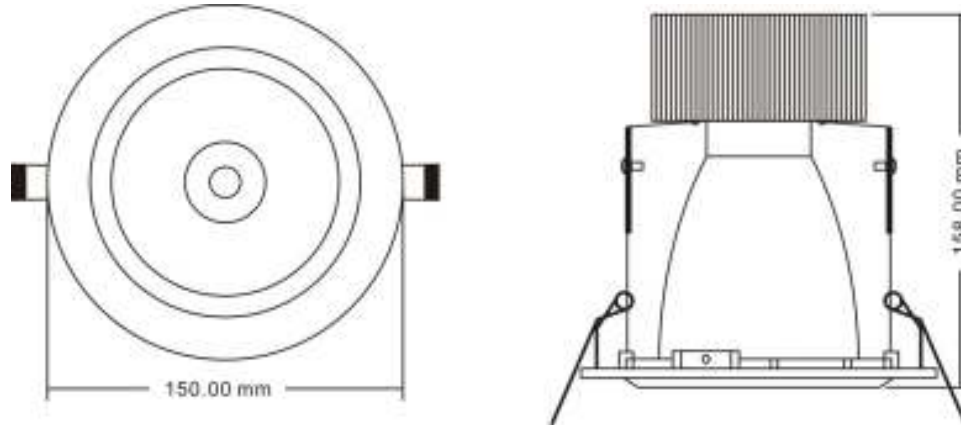
TEL: (02) 2545881 / 6224308 FAX: (02) 2545881 MOBILE: (0917) 8878378 / (0922) 8878374

STALL NO. 2M-15 168 MALL SOLER ST., BINONDO, MANILA, PHILIPPINES 1006

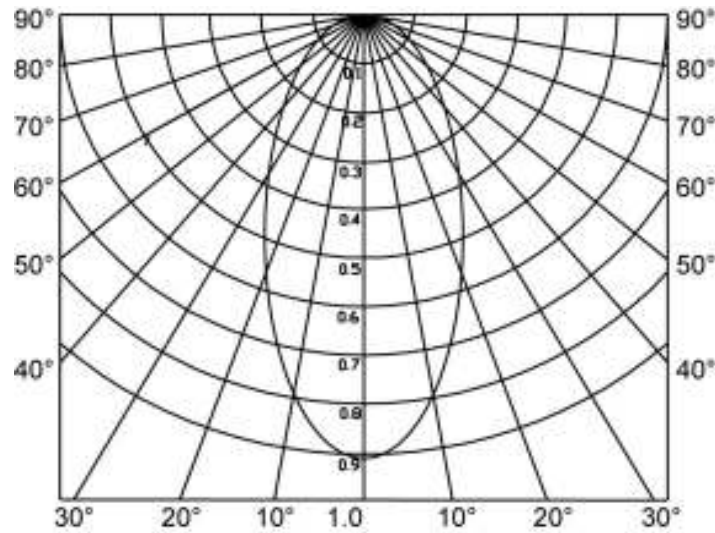
URL: [WWW.LED.PH](http://WWW.LED.PH)

EMAIL: [APPLED888@YAHOO.COM.PH](mailto:APPLED888@YAHOO.COM.PH)

## PRODUCT DIMENSIONS:



## PHOTOMETRIC RESULTS:



## ILLUMINANCE MEASUREMENT(COOL WHITE / ANGLE:60°):

